

## Excellent Integrated System Limited

Stocking Distributor

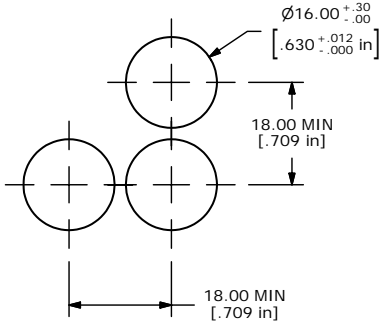
Click to view price, real time Inventory, Delivery & Lifecycle Information:

[E-Switch](#)  
[D16EER110GRN](#)

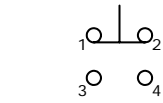
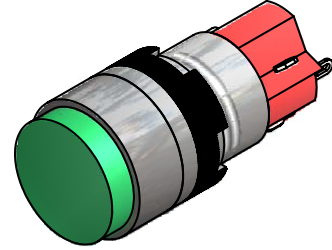
For any questions, you can email us directly:  
[sales@integrated-circuit.com](mailto:sales@integrated-circuit.com)

SHEET 1 OF 1

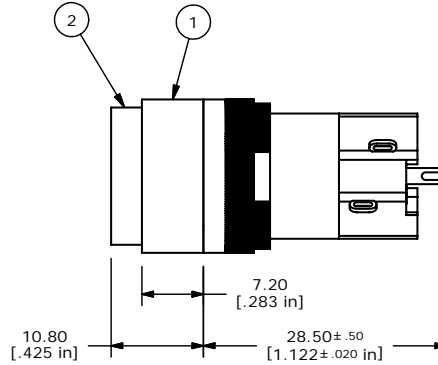
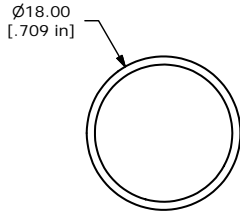
PARTS LIST			
ITEM	QTY	PART NUMBER	DESCRIPTION
1	1	F040006	D16EER11
2	1	F052102	5000102 - ROUND, CONCAVE, OPAQUE, GREEN



PANEL MOUNTING



SPDT CONTACT CONFIGURATION



NOTE:

1. ALL DIMENSIONS IN MM [INCH]
2. GENERAL TOLERANCE: X.X=±0.4  
X.XX=±0.25
3. TERMINAL NUMBERS FOR REF ONLY
4. CONTACT RATING: 5A @ 250 VAC  
6A @ 24 VDC
5. CONTACT MATERIAL: SILVER
6. MECHANICAL LIFE: 2,000,000 OPERATIONS MIN.
7. INSULATION RESISTANCE: 1,000 MEGA-OHM MIN.
8. OPERATING TEMP.: -25°C to 70°C
9. ▲ DENOTES CRITICAL PARAMETER.
10. 2002/95/EC (ROHS) COMPLIANT



TITLE D16EER110GRN

A	16403	RELEASED FOR PRODUCTION	8/31/06	BO
REV	PCR NO	DESCRIPTION	DATE	BY

THE INFORMATION CONTAINED IN THIS DOCUMENT IS PROPRIETARY TO E-SWITCH AND IS NOT TO BE COPIED OR TRANSFERRED

SCALE	DATE	DR	DWG	REV
2:1	8/31/2006	BO	XF0685P	A