

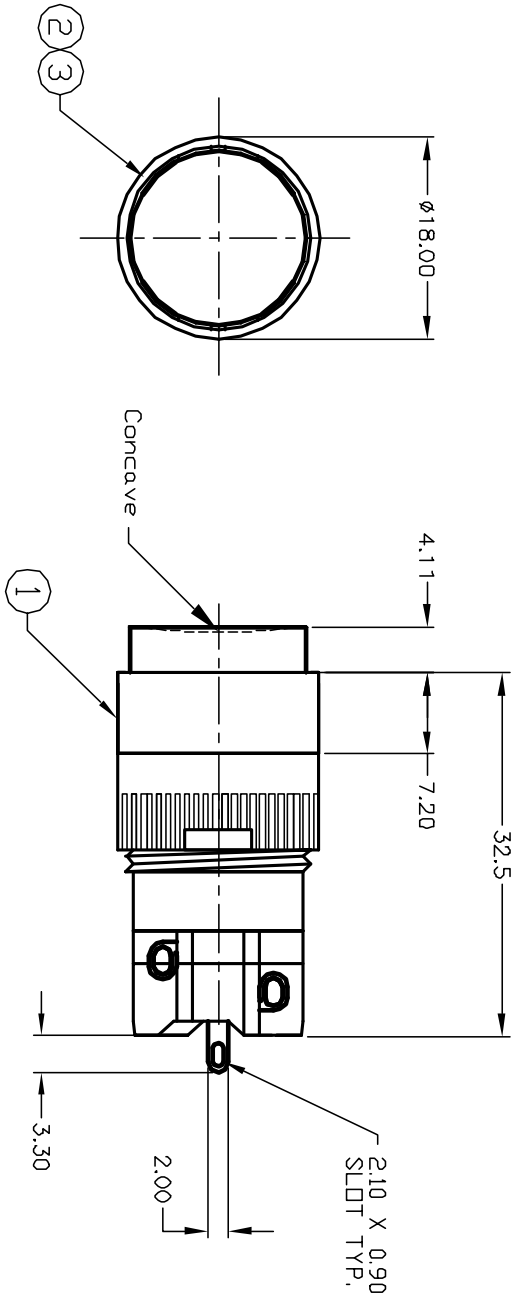
Excellent Integrated System Limited

Stocking Distributor

Click to view price, real time Inventory, Delivery & Lifecycle Information:

[E-Switch](#)
[D16EER11HYELWHT](#)

For any questions, you can email us directly:
sales@integrated-circuit.com



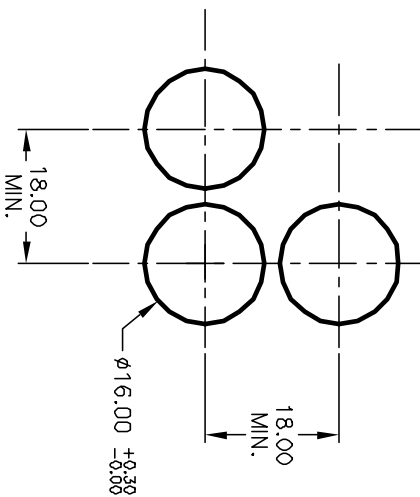
1 0 1 0 2
3 0 0 4
a-L-b (+)

SPST
CONTACT CONFIGURATION

NOTES:

1. ALL DIMENSIONS IN MM
2. GENERAL TOLERANCE: X.X=±0.4
X.XX=±0.25
3. RATINGS: 5A @250V AC
8A @125V AC
UL, VDE, CSA, Semko, Nemko, Demko, Firmko Approved
4. LAMP VOLTAGE: 6V DC YELLOW L.E.D.
5. CONTACT MATERIAL:
COPPER ALLOY W/Silver Plating

PARTS LIST			
ITEM	QTY.	PART NO.	PART DESCRIPTION
1	1	F040006	D16 EE R1 1
2	1	F050418	50-004-18
3	1	F052105	50-001-05 (Transparent Wht lens)



E-SWITCH®

D16 EE R11 H YEL WHT
TRANSPARENT/CONCAVE LENS

REV.	ECN No.	DESCRIPTION	DATE	CHKD
A	12683	RELEASED FOR PRODUCTION	1/02/03	CB

TITLE	SCALE	DATE	DR	DWG	REV
D16 EE R11 H YEL WHT TRANSPARENT/CONCAVE LENS	1.5:1	1/02/03	CB	XF0531P	A

THE INFORMATION CONTAINED IN THIS DOCUMENT IS PROPRIETARY TO E-SWITCH AND IS NOT TO BE COPIED OR TRANSMITTED