

Excellent Integrated System Limited

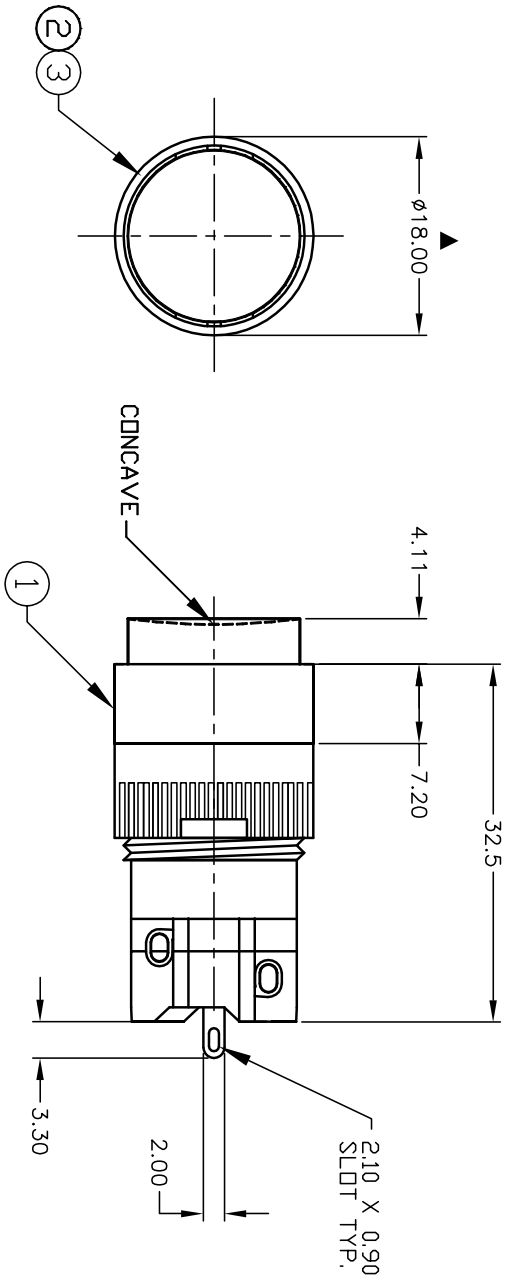
Stocking Distributor

Click to view price, real time Inventory, Delivery & Lifecycle Information:

[E-Switch](#)
[D16EER11JREDRED](#)

For any questions, you can email us directly:
sales@integrated-circuit.com

| PARTS LIST | | | |
|------------|------|----------|----------------------------------|
| ITEM | QTY. | PART NO. | PART DESCRIPTION |
| 1 | 1 | F040006 | D16 EE R1 1 |
| 2 | 1 | F050420 | 50-004-20 |
| 3 | 1 | F052104 | 50-001-04 (TRANSPARENT RED LENS) |

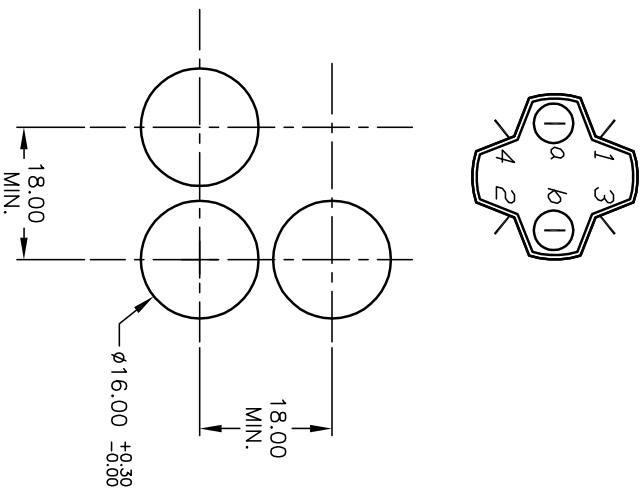


1.0 ± 0.2
 3.0 ± 0.4
 a-L-b (+)

SPST
 CONTACT CONFIGURATION

NOTES:

1. ALL DIMENSIONS IN MM
2. GENERAL TOLERANCE: X.XX=±0.4
X.XX=±0.25
3. RATINGS: 5A @250V AC
8A @125V AC
UL, VDE, CSA, Semko, Nemko, Demko, Firmko Approved
4. LAMP VOLTAGE: 12V DC RED L.E.D.
5. CONTACT MATERIAL:
COPPER ALLOY W/SILVER PLATING
6. ▲ DENOTES CRITICAL PARAMETER.



E-SWITCH®

| REV. | ECN No. | DESCRIPTION | DATE | CHKD |
|------|---------|-------------------------|--------|------|
| A | 13338 | RELEASED FOR PRODUCTION | 8/1/03 | AR |

| TITLE | | | | |
|-------|--------|----|---------|-----|
| SCALE | DATE | DR | DWG | REV |
| 1.5:1 | 8/1/03 | AR | XF0562P | A |

THE INFORMATION CONTAINED IN THIS DOCUMENT IS PROPRIETARY TO E-SWITCH AND IS NOT TO BE COPIED OR TRANSFERRED