

Excellent Integrated System Limited

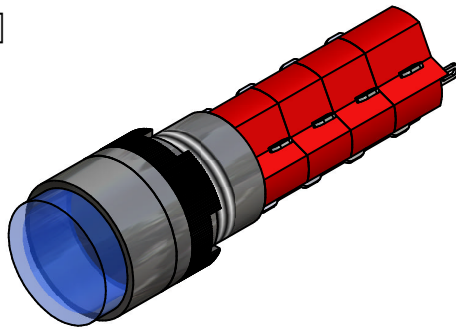
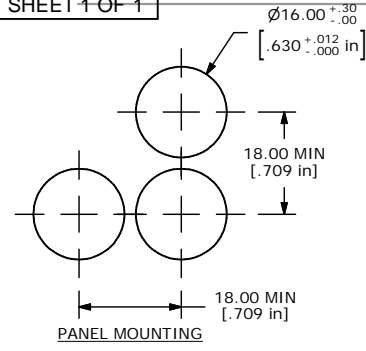
Stocking Distributor

Click to view price, real time Inventory, Delivery & Lifecycle Information:

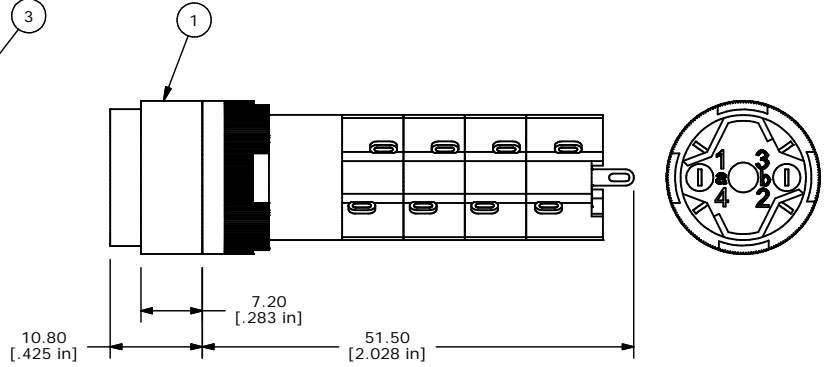
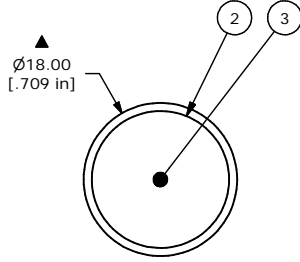
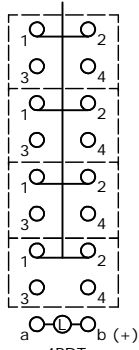
[E-Switch](#)
[D16EER14BBLU](#)

For any questions, you can email us directly:
sales@integrated-circuit.com

SHEET 1 OF 1



PARTS LIST			
ITEM	QTY	PART NUMBER	DESCRIPTION
1	1	F040030	D16EER14
2	1	F050101	50-001-01 BLUE CONCAVE TRANSPARENT LENS
3	1	F050404	50-004-04 14V AC/DC 80mA INCANDESCENT



- NOTE:
- ALL DIMENSIONS IN MM [INCH]
 - GENERAL TOLERANCE: X.X=±0.4
X.XX=±0.25
 - TERMINAL NUMBERS FOR REF ONLY
 - MECHANICAL LIFE: 2,000,000 OPERATIONS
 - INSULATION RESISTANCE: 1,000 MILLI-OHM MIN.
 - OPERATING TEMP.: -25°C to 55°C
 - LAMP VOLTAGE: 14V AC/DC INCANDESCENT
 - ▲ DENOTES CRITICAL PARAMETER.



A	14659	RELEASED FOR PRODUCTION	2/2/05	AR
REV	PCR NO	DESCRIPTION	DATE	BY

TITLE D16EER14BBLU				
SCALE	DATE	DR	DWG	REV
2:1	2/2/05	AR	XF0626P	A

THE INFORMATION CONTAINED IN THIS DOCUMENT IS PROPRIETARY TO E-SWITCH AND IS NOT TO BE COPIED OR TRANSFERRED