

## Excellent Integrated System Limited

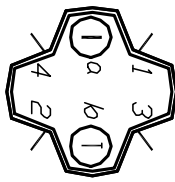
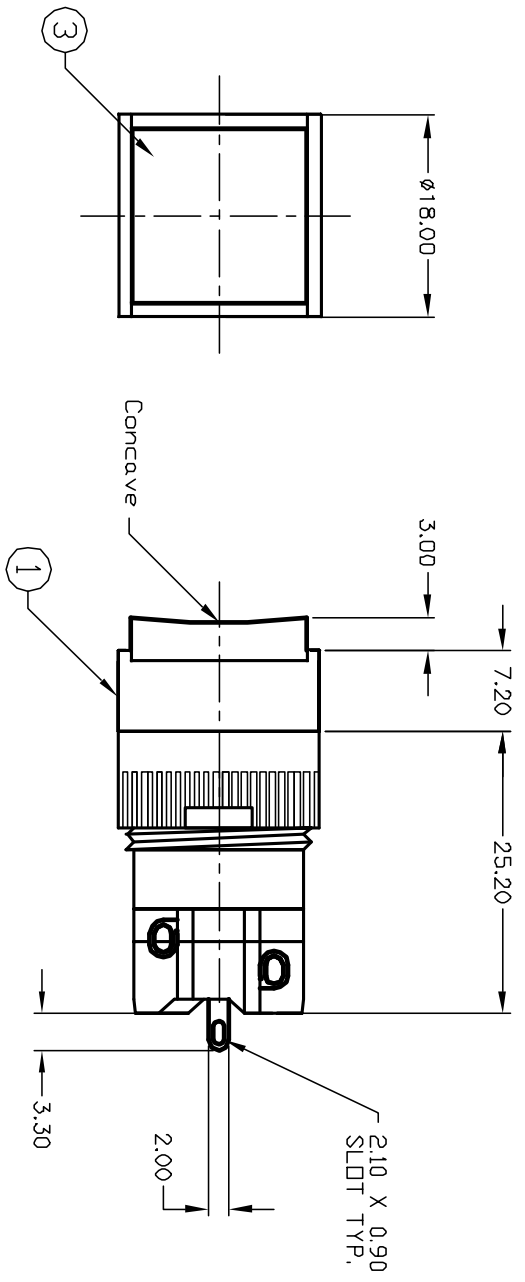
Stocking Distributor

Click to view price, real time Inventory, Delivery & Lifecycle Information:

[E-Switch](#)  
[D16EES11GGRNGRN](#)

For any questions, you can email us directly:

[sales@integrated-circuit.com](mailto:sales@integrated-circuit.com)



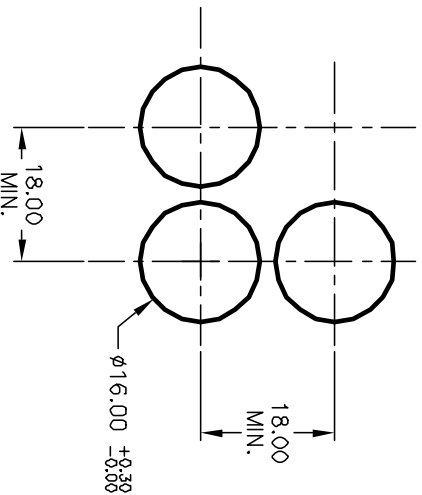
1 0 1 0 2  
 3 0 0 4  
 a - (L) - b (++)

SPST  
 CONTACT CONFIGURATION

PARTS LIST			
ITEM	QTY.	PART NO.	PART DESCRIPTION
1	1	F040005	D16 EE S1 1
2	1	F050413	50-004-13 (Neon Bulb)
3	1	F050302	50-003-02 (Transparent GRN lens)

NOTES:

1. ALL DIMENSIONS IN MM
2. GENERAL TOLERANCE: X.X=±0.4  
X.XX=±0.25
3. RATINGS: 5A @250V AC  
8A @125V AC
4. TRAVEL: 3.0mm
5. CONTACT MATERIAL:  
COPPER ALLOY W/Silver Plating
6. LAMP VOLTAGE: 220V Neon Bulb



RECOMMENDED PANEL MOUNTING  
 SCALE 1:1

**E-SWITCH®**

REV.	ECN No.	DESCRIPTION	DATE	CHKD	CJB
A	12191	RELEASE FOR PRODUCTION	5/30/02		

TITLE	SCALE	DATE	DR	DWG	REV
D16 EE S11 G GRN GRN TRANSPARENT/CONCAVE LENS	1.5:1	5/30/02	CB	XF0474P	A

THE INFORMATION CONTAINED IN THIS DOCUMENT  
 IS PROPRIETARY TO E-SWITCH AND IS  
 NOT TO BE COPIED OR TRANSMITTED