

Excellent Integrated System Limited

Stocking Distributor

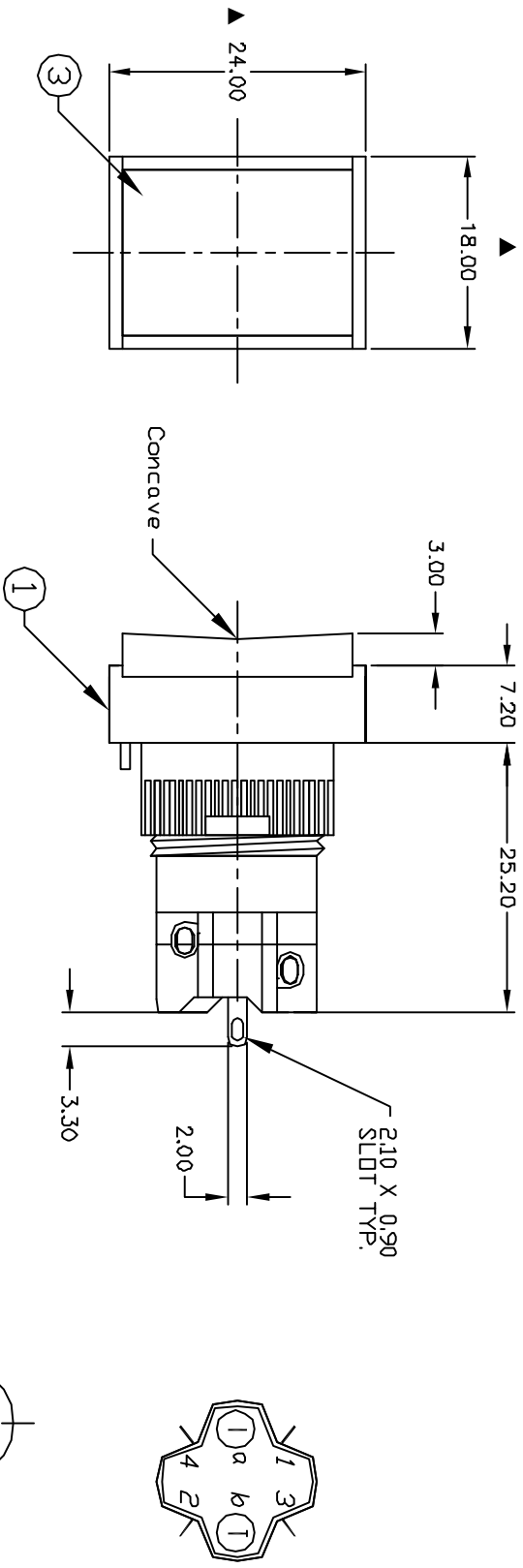
Click to view price, real time Inventory, Delivery & Lifecycle Information:

[E-Switch](#)
[D16EET11BBLU](#)

For any questions, you can email us directly:

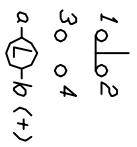
sales@integrated-circuit.com

PARTS LIST			
ITEM	QTY.	PART NO.	PART DESCRIPTION
1	1	F040004	D16 EE T1 1
2	1	F050404	50-004-04 (Incandescent Bulb)
3	1	F052201	50-002-01 (Opaque BLU lens)

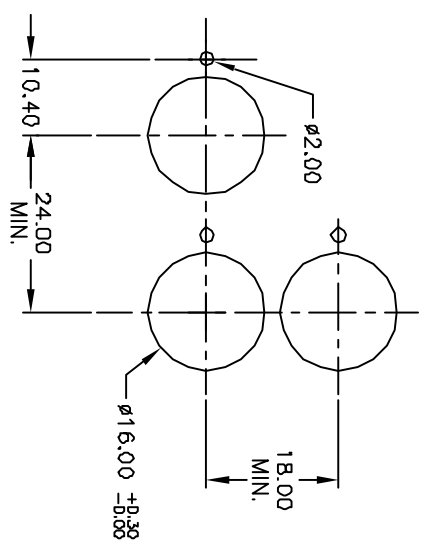


NOTES:

1. ALL DIMENSIONS IN MM
2. GENERAL TOLERANCE: X.X=±0.4
X.XX=±0.25
3. RATINGS: 5A @250V AC
8A @125V AC
4. TRAVEL: 3.0mm
5. CONTACT MATERIAL:
COPPER ALLOY W/Silver Plating
6. LAMP VOLTAGE: 14V AC/DC B0mA
7. ▲ DENOTES CRITICAL PARAMETER.



SPST
CONTACT CONFIGURATION



RECOMMENDED PANEL MOUNTING
SCALE 1:1

REV.	ECN No.	RELEASED FOR PRODUCTION	DESCRIPTION	DATE	CHKD
A	13273			7/8/03	AR

TITLE	SCALE	DATE	DR	DWG	REV
D16EET11BBLU	1.5:1	7/8/03	AR	XF0560P	A

E-SWITCH®

THE INFORMATION CONTAINED IN THIS DOCUMENT IS PROPRIETARY TO E-SWITCH AND IS NOT TO BE COPIED OR TRANSFERRED