

## Excellent Integrated System Limited

Stocking Distributor

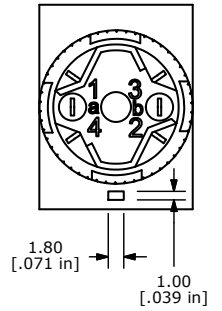
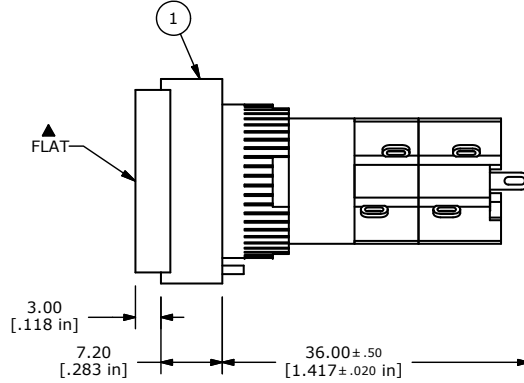
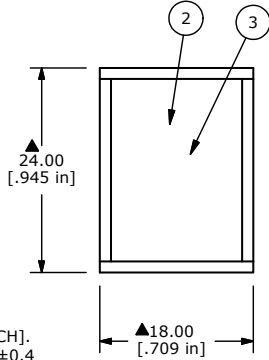
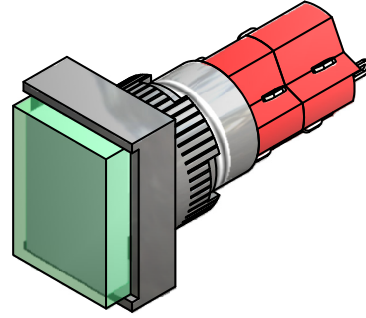
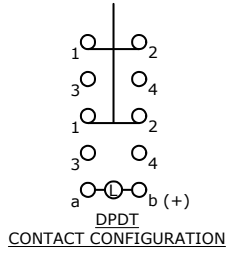
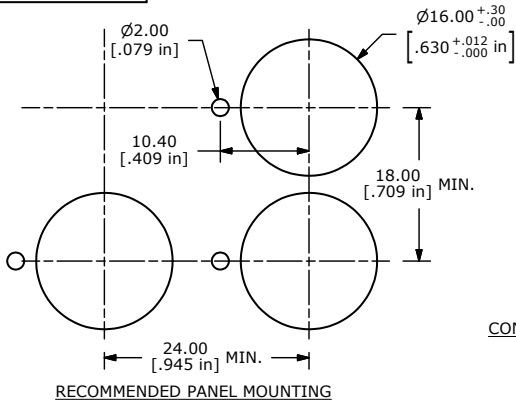
Click to view price, real time Inventory, Delivery & Lifecycle Information:

[E-Switch](#)  
[D16EET12CGRN](#)

For any questions, you can email us directly:

[sales@integrated-circuit.com](mailto:sales@integrated-circuit.com)

SHEET 1 OF 1



- NOTE:
1. ALL DIMENSIONS IN MM [INCH].
  2. GENERAL TOLERANCE: X.X=±0.4  
X.XX=±0.25
  3. TERMINAL NUMBERS FOR REF ONLY.
  - ▲ 4. CONTACT RATING: 5A @ 250VAC,  
8A @ 125VAC,  
6A @ 24VDC
  5. ELECTRICAL LIFE: 50,000 OPERATIONS
  6. INSULATION RESISTANCE: 1,000 MEGA-OHM MIN.
  - ▲ 7. CONTACT MATERIAL: SILVER PLATED COPPER ALLOY
  8. ACTUATION FORCE: 300g / POLE
  9. OPERATING TEMP.: -25°C to +55°C
  10. ▲ DENOTES CRITICAL PARAMETER.
  11. 2002/95/EC (ROHS) COMPLIANT

PARTS LIST			
ITEM	QTY	PART NUMBER	DESCRIPTION
1	1	F040023	D16EET12
2	1	F050212	50-002-12 TRANSPARENT GREEN LENS
3	1	F050405	50-004-05 INCANDESCENT LAMP 28VDC 40mA



B	19775	DRAWING CLEAN UP / UPDATE	3/21/11	BGL
REV	PCR NO	DESCRIPTION	DATE	BY

TITLE D16EET12CGRN				
SCALE	DATE	DR	DWG	REV
1.5:1	3/21/2011	BGL	XF0269P	B

THE INFORMATION CONTAINED IN THIS DOCUMENT IS PROPRIETARY TO E-SWITCH AND IS NOT TO BE COPIED OR TRANSFERRED