

Excellent Integrated System Limited

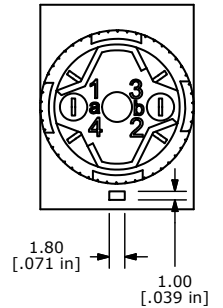
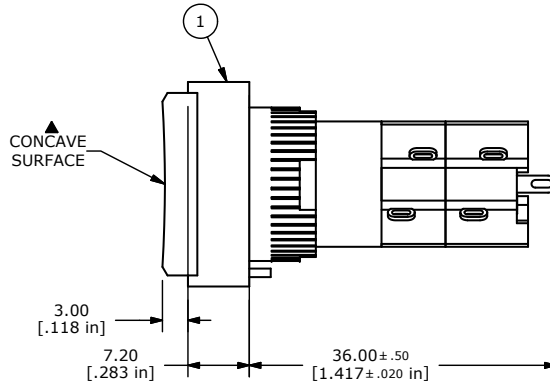
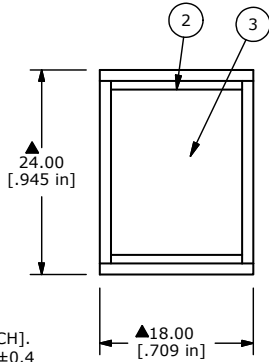
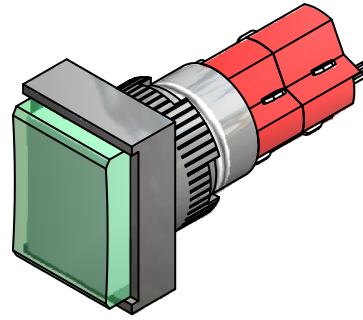
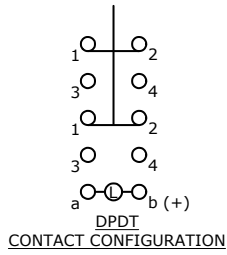
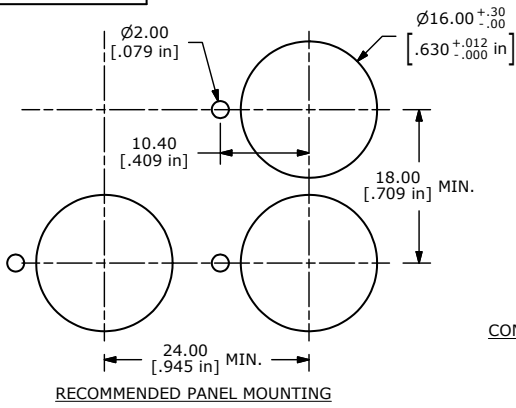
Stocking Distributor

Click to view price, real time Inventory, Delivery & Lifecycle Information:

[E-Switch](#)
[D16EET12HGRNGRN](#)

For any questions, you can email us directly:
sales@integrated-circuit.com

SHEET 1 OF 1



- NOTE:
1. ALL DIMENSIONS IN MM [INCH].
 2. GENERAL TOLERANCE: X.X=±0.4
X.XX=±0.25
 3. TERMINAL NUMBERS FOR REF ONLY.
 - ▲ 4. CONTACT RATING: 5A @ 250VAC,
8A @ 125VAC,
6A @ 24VDC
 5. ELECTRICAL LIFE: 50,000 OPERATIONS
 6. INSULATION RESISTANCE: 1,000 MEGA-OHM MIN.
 - ▲ 7. CONTACT MATERIAL: SILVER PLATED COPPER ALLOY
 8. ACTUATION FORCE: 300g / POLE
 9. OPERATING TEMP.: -25°C to +55°C
 10. ▲ DENOTES CRITICAL PARAMETER.
 11. 2002/95/EC (ROHS) COMPLIANT

PARTS LIST			
ITEM	QTY	PART NUMBER	DESCRIPTION
1	1	F040023	D16EET12
2	1	F050202	5000202 TRANSPARENT GREEN LENS
3	1	F050416	5000416 LAMP LED 6VDC GREEN



TITLE D16EET12HGRNGRN

B	19759	DRAWING CLEAN UP / UPDATE	3/16/11	BGL
REV	PCR NO	DESCRIPTION	DATE	BY

THE INFORMATION CONTAINED IN THIS DOCUMENT IS PROPRIETARY TO E-SWITCH AND IS NOT TO BE COPIED OR TRANSFERRED

SCALE	1.5:1	DATE	3/16/2011	DR	BGL	DWG	XF0053P	REV	B
-------	-------	------	-----------	----	-----	-----	---------	-----	---