

Excellent Integrated System Limited

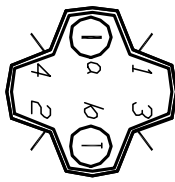
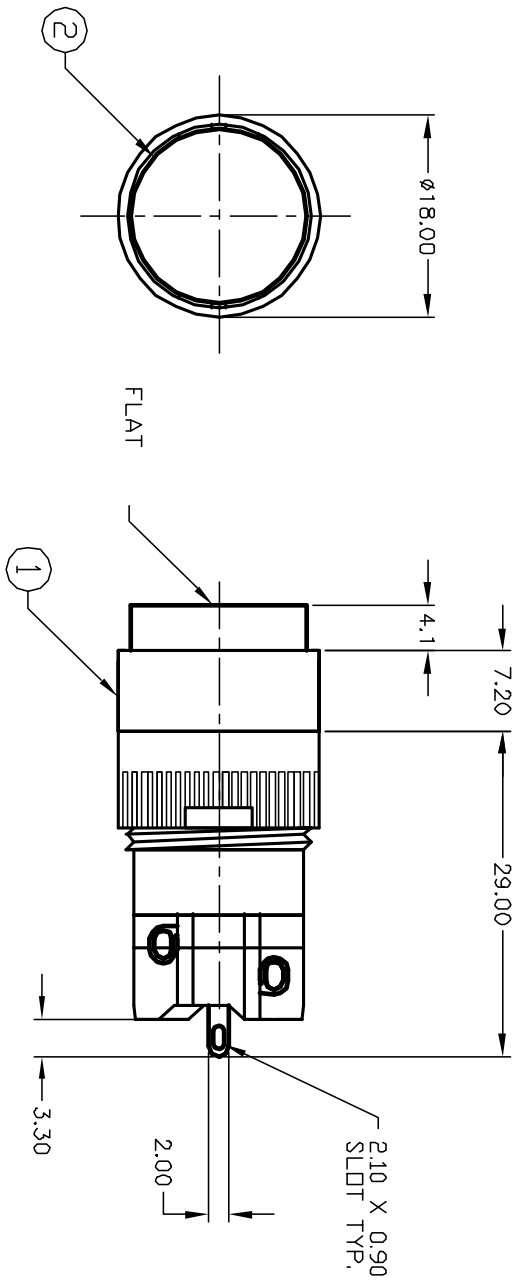
Stocking Distributor

Click to view price, real time Inventory, Delivery & Lifecycle Information:

[E-Switch](#)
[D16OAR11CGRN](#)

For any questions, you can email us directly:

sales@integrated-circuit.com



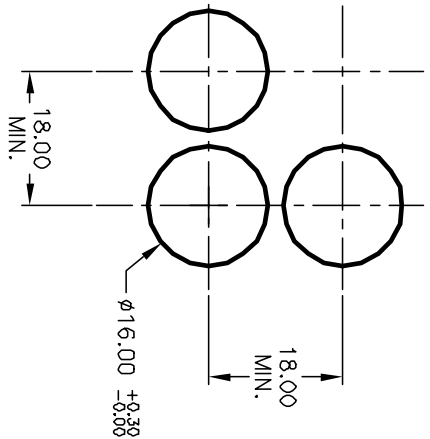
1.0 ± 0.2
 3.0 ± 0.4
 a-L-b (+)

SPST
 CONTACT CONFIGURATION

NOTES:

1. ALL DIMENSIONS IN MM
2. GENERAL TOLERANCE: X.X=±0.4
X.XX=±0.25
3. RATINGS: 5A @250V AC;
8A @125V AC
LAMP: 28V AC/DC 40mA
4. CONTACT MATERIAL:
COPPER ALLOY W/Silver Plating
5. TRAVEL: 3.00mm

PARTS LIST			
ITEM	QTY.	PART NO.	PART DESCRIPTION
1	1	F040009	D16 OA R1 1
2	1	F050405	50-004-05 (28V INCANDESCENT LAMP)
3	1	F050112	50-001-12 (TRANSPARENT GREEN LENS)



RECOMMENDED PANEL MOUNTING
 SCALE 1:1

REV.	ECN No.	DESCRIPTION	DATE	CHKD
B	12946	CORRECT PARTS LIST DISC.	3/24/03	AR
A	12848	ADD TR/FLAT TO DESC.	2/27/03	CJB

TITLE	SCALE	DATE	DR	DWG	REV
D16 OA R11 C GRN TRANSPARENT /FLAT LENS	1.5:1	2/27/03	CB	XF0542P	B

E-SWITCH®

THE INFORMATION CONTAINED IN THIS DOCUMENT IS PROPRIETARY TO E-SWITCH AND IS NOT TO BE COPIED OR TRANSMITTED