

Excellent Integrated System Limited

Stocking Distributor

Click to view price, real time Inventory, Delivery & Lifecycle Information:

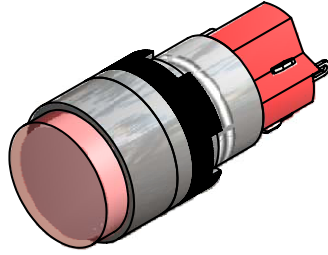
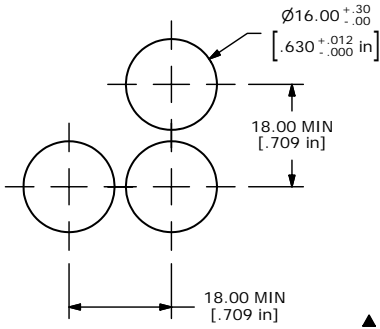
[E-Switch](#)
[D16OAR11GREDRED](#)

For any questions, you can email us directly:

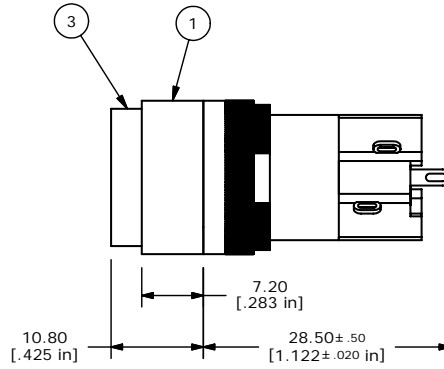
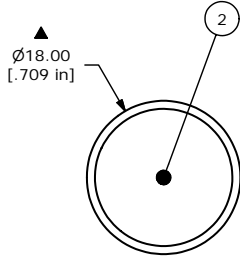
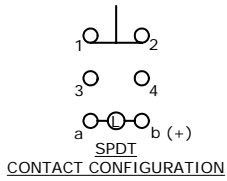
sales@integrated-circuit.com

SHEET 1 OF 1

PARTS LIST			
ITEM	QTY	PART NUMBER	DESCRIPTION
1	1	F040009	D16OAR11
2	1	F050414	50-004-14 220VAC RED NEON
3	1	F050104	50-001-04 CONCAVE RED



PANEL MOUNTING



- NOTE:
1. ALL DIMENSIONS IN MM [INCH]
 2. GENERAL TOLERANCE: X.X=±0.4
X.XX=±0.25
 3. TERMINAL NUMBERS FOR REF ONLY
 4. MECHANICAL LIFE: 2 MILLION CYCLES.
 5. INSULATION RESISTANCE: 1,000 MILLI-OHM MIN.
 6. OPERATING TEMP.: -25°C to 55°C
 - ▲ 7. LAMP VOLTAGE: 220 VAC RED NEON BULB
 8. ▲ DENOTES CRITICAL PARAMETER.
 9. RATING: 250VAC@5A, 24VDC@6A
 10. 2002/95/EC (ROHS) COMPLIANT.



TITLE D16OAR11GREDRED				
SCALE 2:1	DATE 11/27/2006	DR TN	DWG XF0698P	REV A

A	16694	RELEASED FOR PRODUCTION	11/27/06	TN
REV	PCR NO	DESCRIPTION	DATE	BY

THE INFORMATION CONTAINED IN THIS DOCUMENT IS PROPRIETARY TO E-SWITCH AND IS NOT TO BE COPIED OR TRANSFERRED