

Excellent Integrated System Limited

Stocking Distributor

Click to view price, real time Inventory, Delivery & Lifecycle Information:

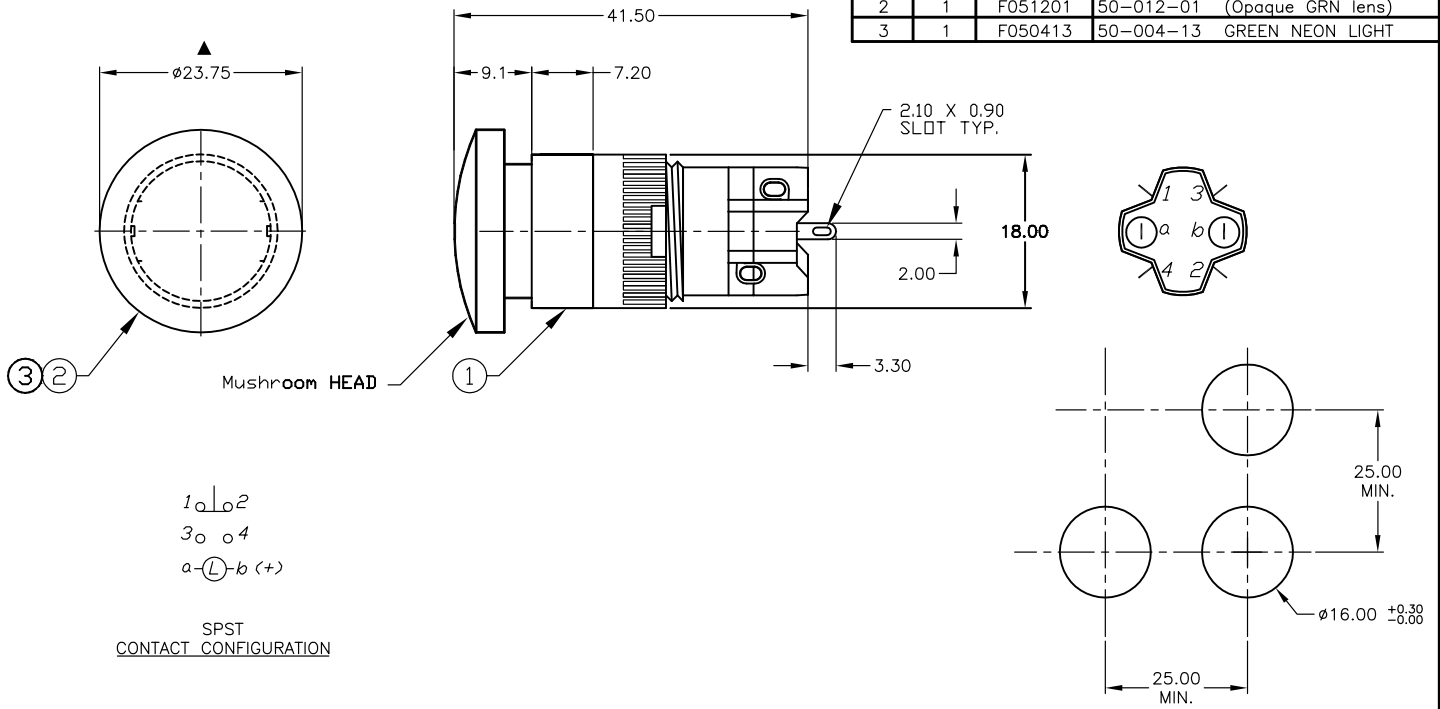
[E-Switch](#)
[D16OAR1GGRNGRN](#)

For any questions, you can email us directly:

sales@integrated-circuit.com

SHEET 1 OF 1

PARTS LIST			
ITEM	QTY.	PART NO.	PART DESCRIPTION
1	1	F040009	D16 OA R1 1
2	1	F051201	50-012-01 (Opaque GRN lens)
3	1	F050413	50-004-13 GREEN NEON LIGHT



1 0 0 2
 3 0 0 4
 a-L-b (+)
 SPST
 CONTACT CONFIGURATION

- NOTES:
- ALL DIMENSIONS IN MM
 - GENERAL TOLERANCE: X.X=±0.4
X.XX=±0.25
 - RATINGS: 5A @250V AC
8A @125V AC
UL, VDE, CSA, Semko, Nemko, Demko, Fimko Approved
 - CONTACT MATERIAL:
COPPER ALLOY W/Silver Plating
 - ▲ DENOTES CRITICAL PARAMETER.

RECOMMENDED PANEL MOUNTING
 SCALE 1:1

					E-SWITCH®									
					TITLE D16OAR1GGRNGRN									
A	13502	RELEASED FOR PRODUCTION	10/1/03	AR	SCALE	1.5:1	DATE	10/1/03	DR	AR	DWG	XF0571P	REV	A
REV.	ECN No.	DESCRIPTION	DATE	CHKD	<small>THE INFORMATION CONTAINED IN THIS DOCUMENT IS PROPRIETARY TO E-SWITCH AND IS NOT TO BE COPIED OR TRANSFERRED</small>									