

Excellent Integrated System Limited

Stocking Distributor

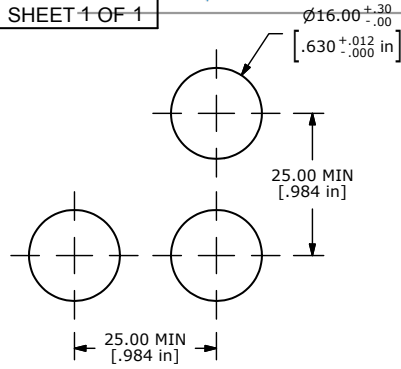
Click to view price, real time Inventory, Delivery & Lifecycle Information:

[E-Switch](#)
[D16OAR20GRN](#)

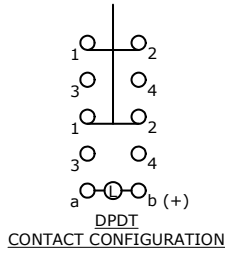
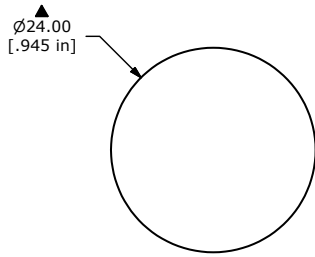
For any questions, you can email us directly:

sales@integrated-circuit.com

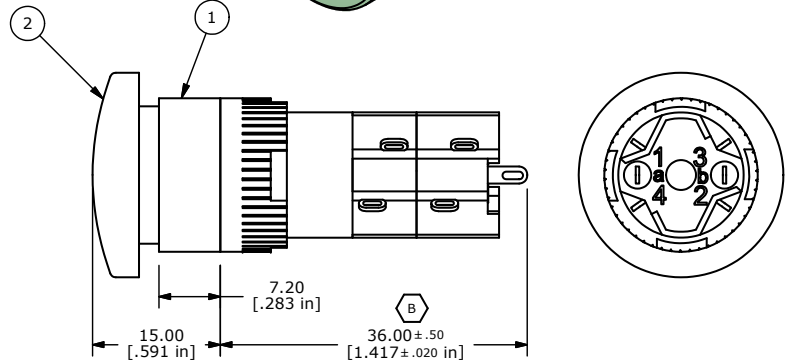
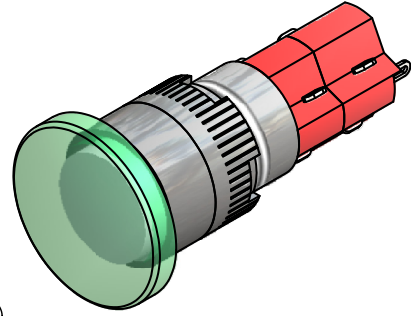
SHEET 1 OF 1



PANEL MOUNTING



ITEM		QTY	PART NUMBER	DESCRIPTION
1	1	F040027	D16OAR12	
2	1	F051201	50-012-01 OPAQUE GREEN LENS	



- NOTE:
- ALL DIMENSIONS IN MM [INCH].
 - GENERAL TOLERANCE: X.X=±0.4
X.XX=±0.25
 - TERMINAL NUMBERS FOR REF ONLY.
 - ▲ 4. CONTACT RATING: 5A @ 250VAC,
8A @ 125VAC,
6A @ 24VDC
 - ELECTRICAL LIFE: 50,000 OPERATIONS
 - INSULATION RESISTANCE: 1,000 MEGA-OHM MIN.
 - CONTACT MATERIAL: SILVER PLATED COPPER ALLOY
 - ▲ 8. ACTUATION FORCE: 300g / POLE
 - OPERATING TEMP.: -25°C to +55°C
 - ▲ DENOTES CRITICAL PARAMETER.
 - 2002/95/EC (ROHS) COMPLIANT



TITLE D16OAR20GRN

B	19783	DRAWING UPDATE / CLEAN-UP	3/22/11	BGL
REV	PCR NO	DESCRIPTION	DATE	BY

THE INFORMATION CONTAINED IN THIS DOCUMENT IS PROPRIETARY TO E-SWITCH AND IS NOT TO BE COPIED OR TRANSFERRED

SCALE 1.5:1	DATE 3/22/2011	DR BGL	DWG XF0301P	REV B
-------------	----------------	--------	-------------	-------