

Excellent Integrated System Limited

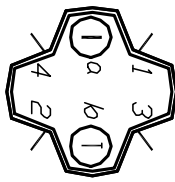
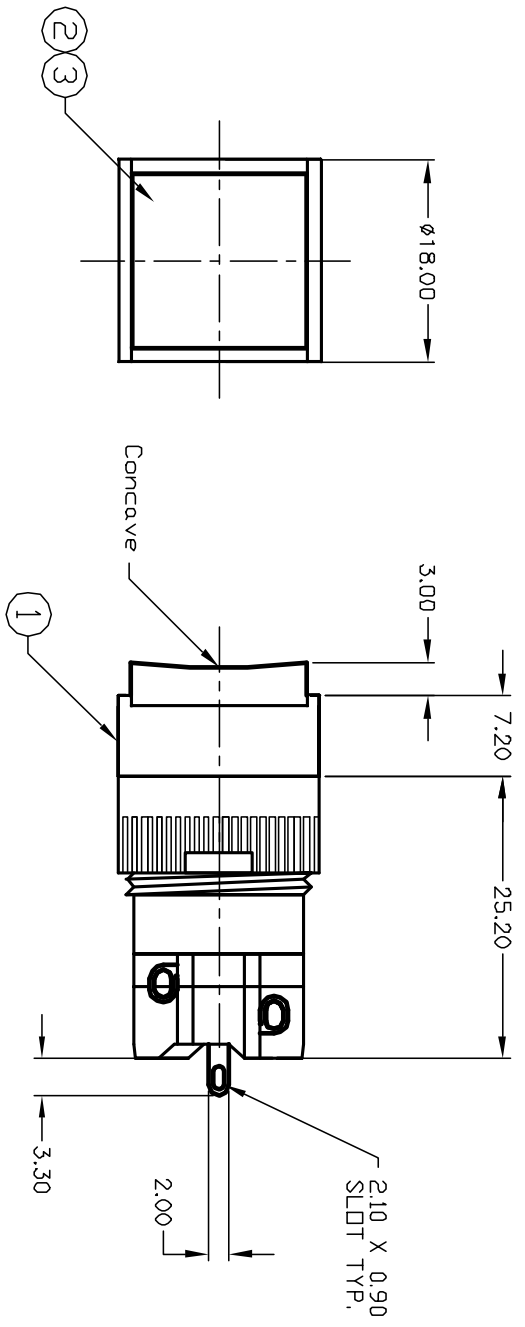
Stocking Distributor

Click to view price, real time Inventory, Delivery & Lifecycle Information:

[E-Switch](#)
[D16OAS11KYELWHT](#)

For any questions, you can email us directly:

sales@integrated-circuit.com



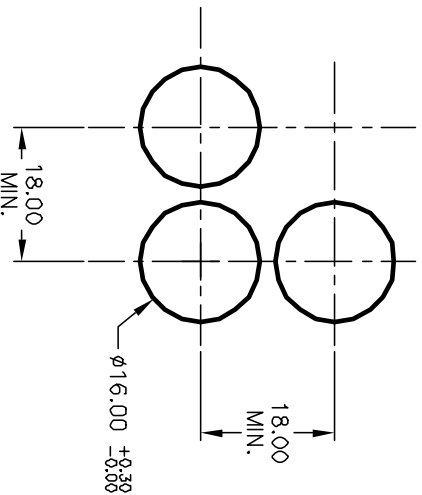
1.0 ± 0.2
 3.0 ± 0.4
 a-L-b (++)

SPST
 CONTACT CONFIGURATION

PARTS LIST			
ITEM	QTY.	PART NO.	PART DESCRIPTION
1	1	F040008	D16 OA S1 1
2	1	F050424	50-004-24 (YEL. L.E.D.)
3	1	F050305	50-003-05 (Transparent WHT lens)

NOTES:

1. ALL DIMENSIONS IN MM
2. GENERAL TOLERANCE: X.X=±0.4
X.XX=±0.25
3. RATINGS: 5A @250V AC
8A @125V AC
4. TRAVEL: 3.0mm
5. CONTACT MATERIAL:
COPPER ALLOY W/Silver Plating
6. LAMP VOLTAGE: 24V DC L.E.D.



REV.	ECN No.	DESCRIPTION	DATE	CHKD
A	12199	RELEASE FOR PRODUCTION	5/30/02	CJB

TITLE	SCALE	DATE	DR	DWG	REV
D16 DA S11 K YEL WHT TRANSPARENT/CONCAVE LENS	1.5:1	5/30/02	CB	XF0476P	A

E-SWITCH®

THE INFORMATION CONTAINED IN THIS DOCUMENT IS PROPRIETARY TO E-SWITCH AND IS NOT TO BE COPIED OR TRANSMITTED