

Excellent Integrated System Limited

Stocking Distributor

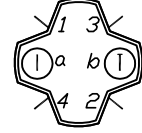
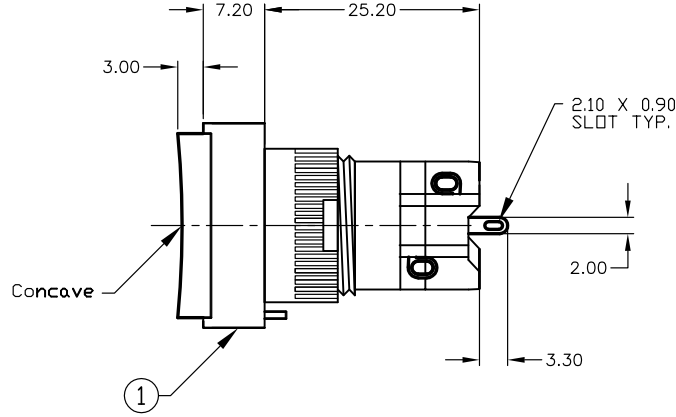
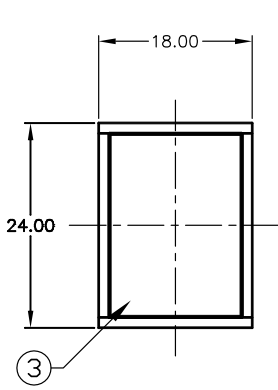
Click to view price, real time Inventory, Delivery & Lifecycle Information:

[E-Switch](#)
[D16OAT11CBLU](#)

For any questions, you can email us directly:

sales@integrated-circuit.com

SHEET OF



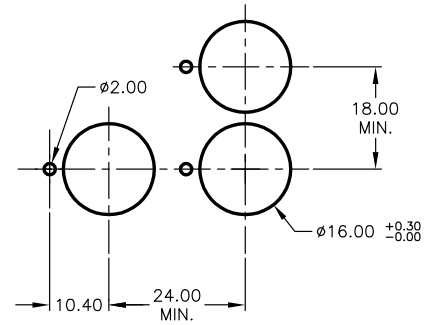
1 0 1 0 2
 3 0 0 4
 a-L-b (+)

PARTS LIST			
ITEM	QTY.	PART NO.	PART DESCRIPTION
1	1	F040007	D16 OA T1 1
2	1	F050405	50-004-05 (Incandescent Bulb)
3	1	F052201	50-002-01 (Transparent BLU lens)

SPST
 CONTACT CONFIGURATION

NOTES:

- ALL DIMENSIONS IN MM
- GENERAL TOLERANCE: X.X=±0.4
X.XX=±0.25
- RATINGS: 5A @250V AC
8A @125V AC
- TRAVEL: 3.0mm
- CONTACT MATERIAL:
COPPER ALLOY W/Silver Plating
- LAMP VOLTAGE: 28V AC/DC 40mA



RECOMMENDED PANEL MOUNTING
 SCALE 1:1

					E-SWITCH®				
					TITLE D16OAT11CBLU				
A	13715	RELEASE FOR PRODUCTION	1/15/04	AR	SCALE	DATE	DR	DWG	REV
REV.	ECN No.	DESCRIPTION	DATE	CHKD	1.5:1	1/15/04	AR	XF0577P	A
<small>THE INFORMATION CONTAINED IN THIS DOCUMENT IS PROPRIETARY TO E-SWITCH AND IS NOT TO BE COPIED OR TRANSFERRED</small>									