

Excellent Integrated System Limited

Stocking Distributor

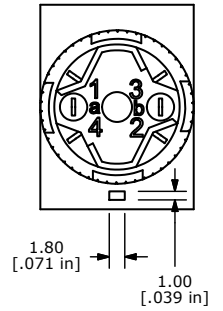
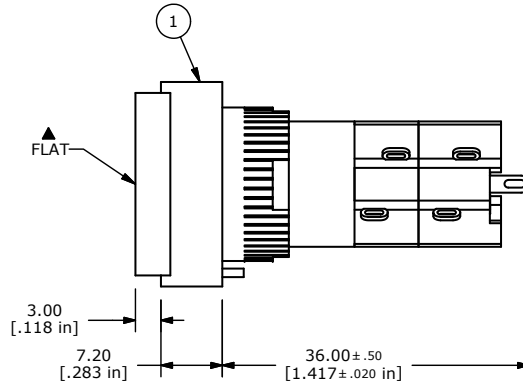
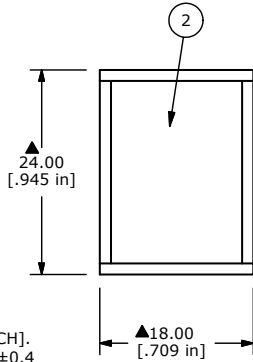
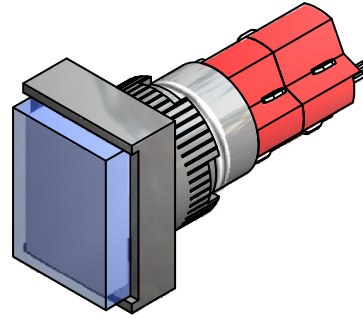
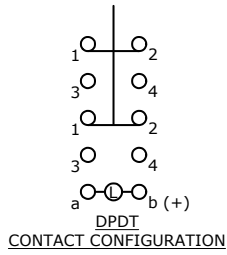
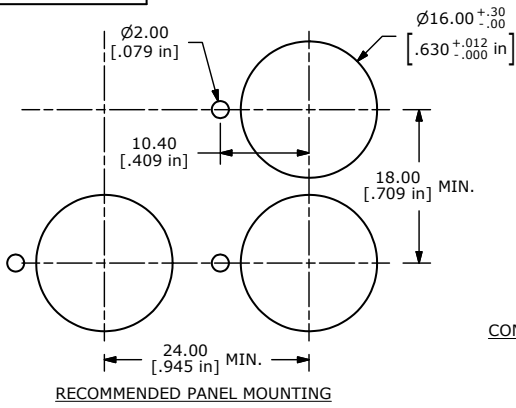
Click to view price, real time Inventory, Delivery & Lifecycle Information:

[E-Switch](#)
[D16OAT120BLU](#)

For any questions, you can email us directly:

sales@integrated-circuit.com

SHEET 1 OF 1



- NOTE:
1. ALL DIMENSIONS IN MM [INCH].
 2. GENERAL TOLERANCE: X.X=±0.4 X.XX=±0.25
 3. TERMINAL NUMBERS FOR REF ONLY.
 - ▲ 4. CONTACT RATING: 5A @ 250VAC, 8A @ 125VAC, 6A @ 24VDC
 5. ELECTRICAL LIFE: 50,000 OPERATIONS
 6. INSULATION RESISTANCE: 1,000 MEGA-OHM MIN.
 - ▲ 7. CONTACT MATERIAL: SILVER PLATED COPPER ALLOY
 8. ACTUATION FORCE: 300g / POLE
 9. OPERATING TEMP.: -25°C to +55°C
 10. ▲ DENOTES CRITICAL PARAMETER.
 11. 2002/95/EC (ROHS) COMPLIANT

PARTS LIST			
ITEM	QTY	PART NUMBER	DESCRIPTION
1	1	F040035	D16OAT12
2	1	F050211	50-002-11 TRANSPARENT BLUE LENS



D	19775	DRAWING CLEAN UP / UPDATE	3/21/11	BGL
REV	PCR NO	DESCRIPTION	DATE	BY

TITLE D16OAT120BLU				
SCALE	1.5:1	DATE	3/21/2011	DR BGL
DWG	XF0267P	REV	B	

THE INFORMATION CONTAINED IN THIS DOCUMENT IS PROPRIETARY TO E-SWITCH AND IS NOT TO BE COPIED OR TRANSFERRED