

Excellent Integrated System Limited

Stocking Distributor

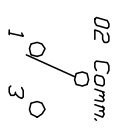
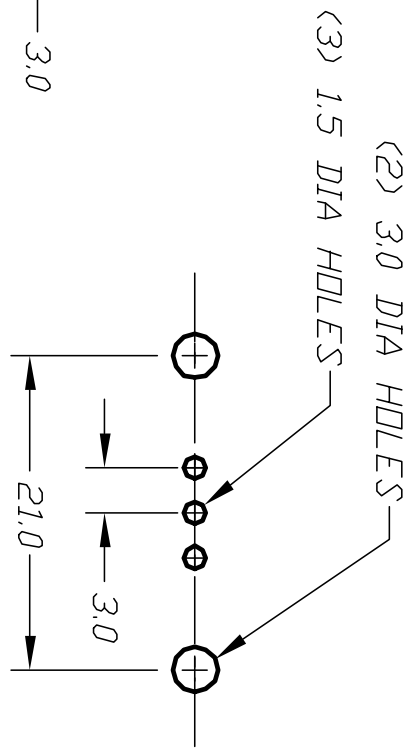
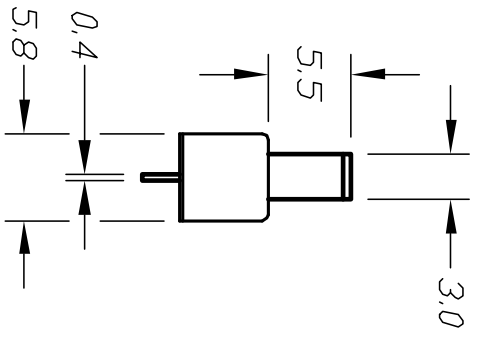
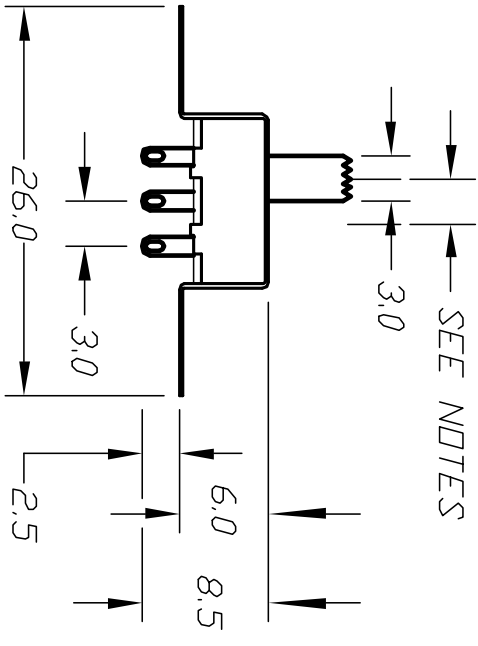
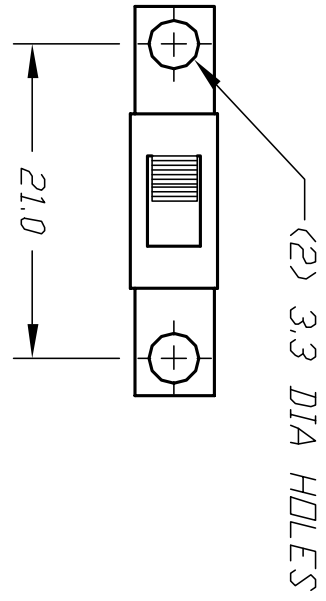
Click to view price, real time Inventory, Delivery & Lifecycle Information:

[E-Switch](#)
[EG1205A](#)

For any questions, you can email us directly:

sales@integrated-circuit.com

SHEET OF



CONTACT CONFIGURATION

P.C.B. MOUNTING HOLES

NOTES:

1. ALL DIMENSIONS IN MM
2. GENERAL TOLERANCE: X.X=±0.4
X.XX=±0.25
3. RATINGS: 30VDC, 0.2A
4. OPERATING FORCE: 200±100
5. TRAVEL: 3mm

| | | | | |
|------|---------|-------------------------|------|------|
| REV. | ECN No. | DESCRIPTION | DATE | CHKD |
| A | -- | RELEASED FOR PRODUCTION | -- | -- |

THE INFORMATION CONTAINED IN THIS DOCUMENT IS PROPRIETARY TO E-SWITCH AND IS NOT TO BE COPIED OR TRANSMITTED

| | | | | | |
|-----------------------------|-------|------|----|---------|-----|
| TITLE | SCALE | DATE | DR | DWG | REV |
| E-SWITCH® EG1205A | 2:1 | -- | -- | P040019 | A |