

Excellent Integrated System Limited

Stocking Distributor

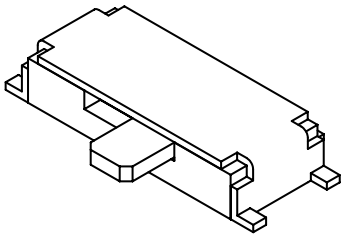
Click to view price, real time Inventory, Delivery & Lifecycle Information:

[E-Switch](#)
[EG1260CSR](#)

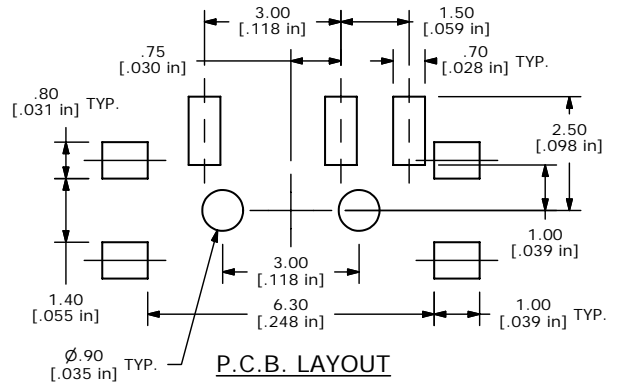
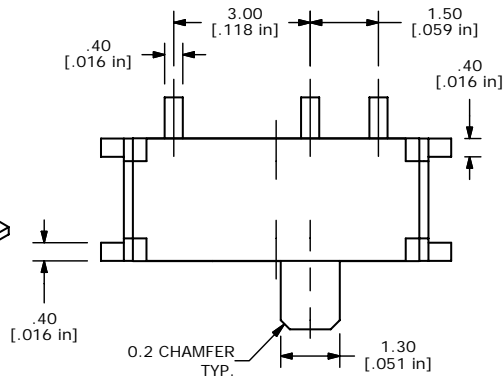
For any questions, you can email us directly:

sales@integrated-circuit.com

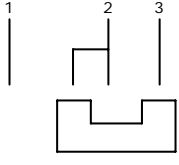
SHEET 1 OF 1



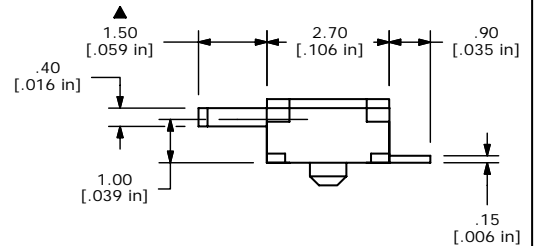
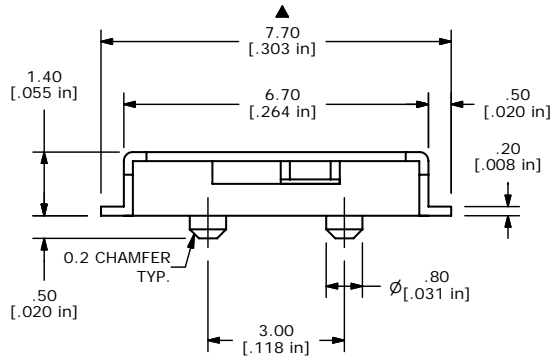
ISOMETRIC



P.C.B. LAYOUT



CIRCUIT DIAGRAM



NOTES:

1. ALL DIMENSIONS IN MM [INCH]
2. GENERAL TOLERANCE: X.X=± 0.4
X.XX=± 0.25
3. TERM. NOS. FOR REF. ONLY
4. RATING: 0.3A, 4VDC
- ▲ 5. PLATING: 40 MICRO INCHES NICKLE
W/10 MICRO INCHES OF GOLD
- ▲ 6. OPERATING FORCE: 150± 100GF
7. OPERATING LIFE: 10,000 CYCLES
8. TRAVEL: 1.50MM
9. ▲ DENOTES CRITICAL PARAMETER.

B	15331	EDIT PCB LAYOUT	9/26/05	PH
A	14333	RELEASED FOR PRODUCTION	9/21/04	AR
REV	PCR NO	DESCRIPTION	DATE	BY

TITLE EG1260CSR				
SCALE 4:1	DATE 9/21/2004	DR AR	DWG D041205	REV B

THE INFORMATION CONTAINED IN THIS DOCUMENT IS PROPRIETARY TO E-SWITCH AND IS NOT TO BE COPIED OR TRANSFERRED