

Excellent Integrated System Limited

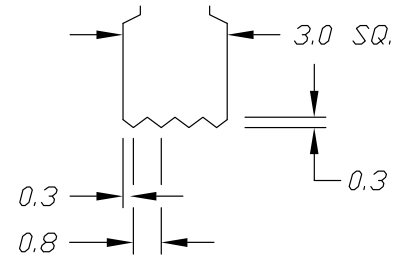
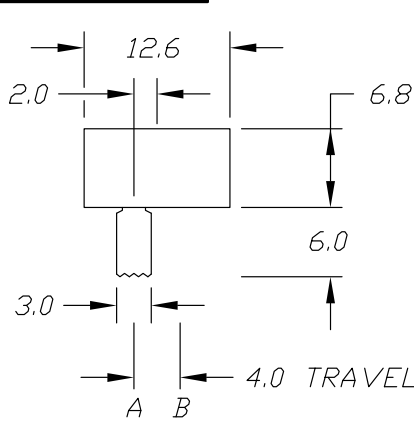
Stocking Distributor

Click to view price, real time Inventory, Delivery & Lifecycle Information:

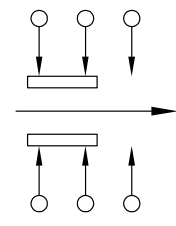
[E-Switch](#)
[EG2215A](#)

For any questions, you can email us directly:

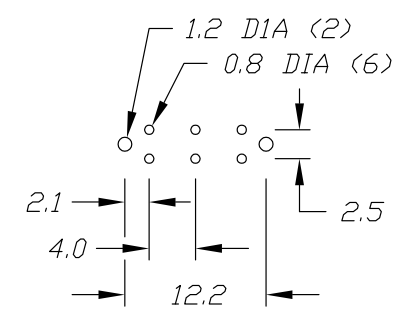
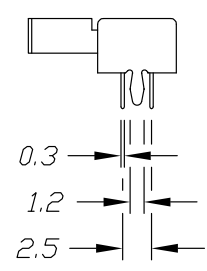
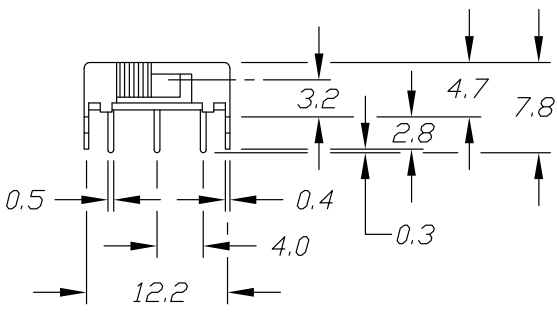
sales@integrated-circuit.com



KNOB DETAIL
SCALE 6:1



CONTACT CONFIGURATION



P.C.B. MOUNTING HOLES

NOTES:

1. ALL DIMENSIONS IN MM
2. TERM. NOS. FOR REF ONLY

E-SWITCH

TITLE		EG 2215 A	
SCALE	DATE	DR	DWG
2:1	5/25/94	JL	P040161

REV.	DESCRIPTION	DATE	CHKD

THE INFORMATION CONTAINED IN THIS DOCUMENT IS PROPRIETARY TO E-SWITCH AND IS NOT TO BE COPIED OR TRANSFERRED

TOLERANCES	0	0.0	0.00
	±0.3	±0.3	±0.3