

## Excellent Integrated System Limited

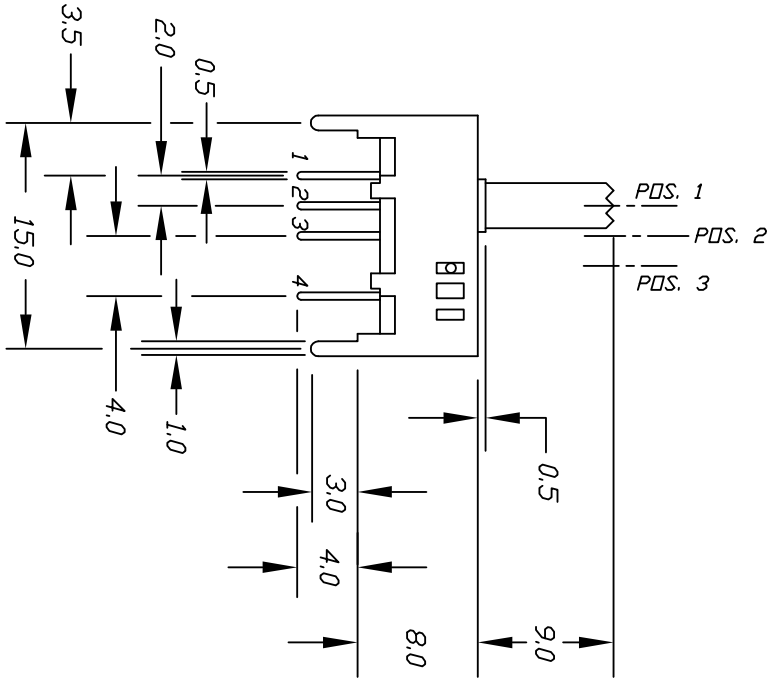
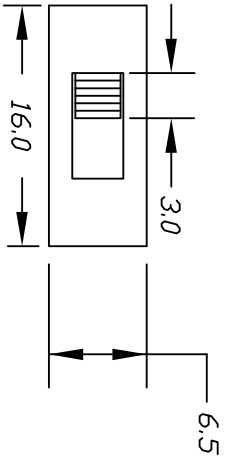
Stocking Distributor

Click to view price, real time Inventory, Delivery & Lifecycle Information:

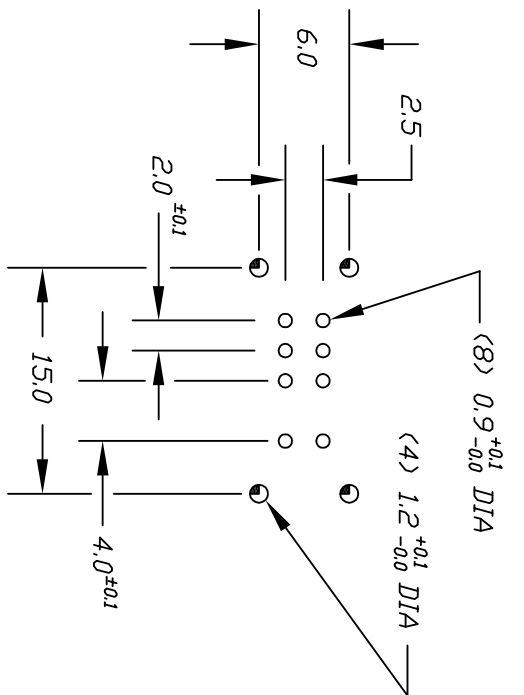
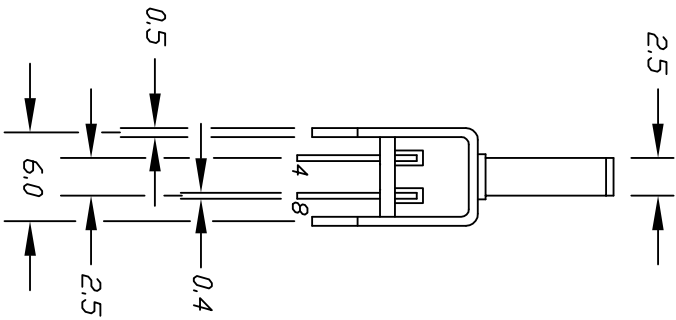
[E-Switch](#)  
[EG2301B](#)

For any questions, you can email us directly:

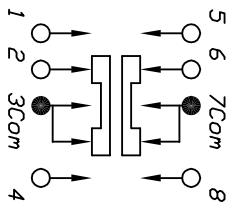
[sales@integrated-circuit.com](mailto:sales@integrated-circuit.com)



- NOTES:
1. ALL DIMENSIONS IN MM (IN)
  2. TERM. NOS. FOR REF ONLY
  3. RATING: DC 30V, 0.2A
  4. TRAVEL: 2.0mm TYP.
  5. TIMING: NON-SPECIFIED
  6. 2002/95/EC (ROHS) COMPLIANT



RECOMMEND P.C.B. HOLES



CIRCUIT: 2P3T

CONTACT CONFIGURATION

SWITCH FUNCTION		
PDS. 1	PDS. 2	PDS. 3
3-1	3-2	3-4
7-5	7-6	7-8

REV.	DESCRIPTION	DATE	CHKD
C	ADD TIMING NOTE	1/15/09	BLR
B	REVISED & REDRAWN		
B			

TOLERANCES	
0.0	±0.4
0.00	±0.25

SCALE	DATE	DR	DWG	REV
2:1	1/15/09	BLR	P040182	C

THE INFORMATION CONTAINED IN THIS DOCUMENT IS PROPRIETARY TO E-SWITCH AND IS NOT TO BE COPIED OR TRANSFERRED



EG 2301B