

## Excellent Integrated System Limited

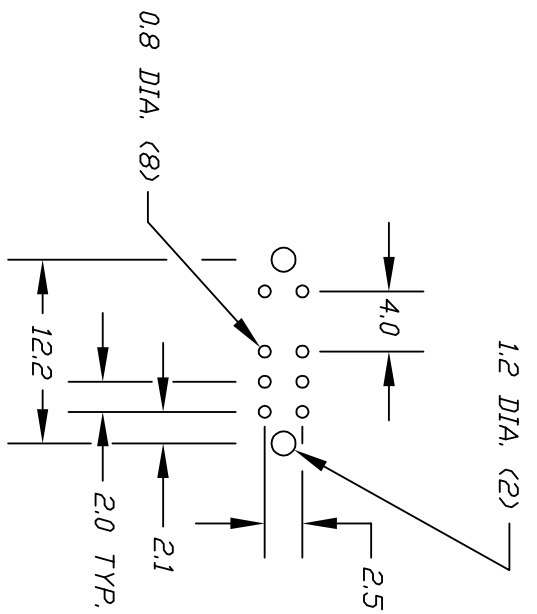
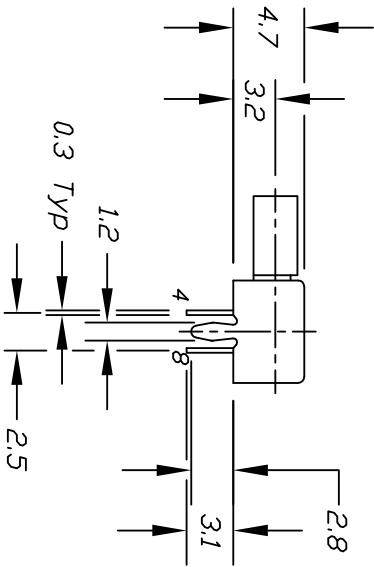
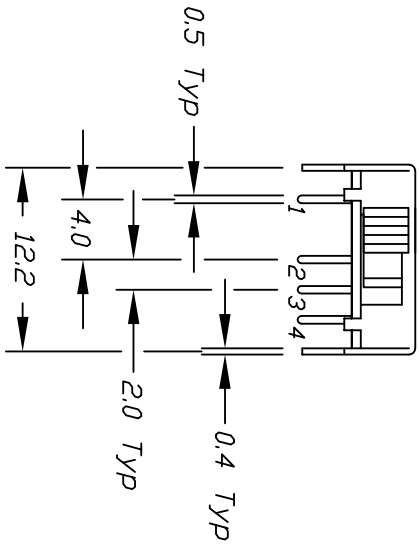
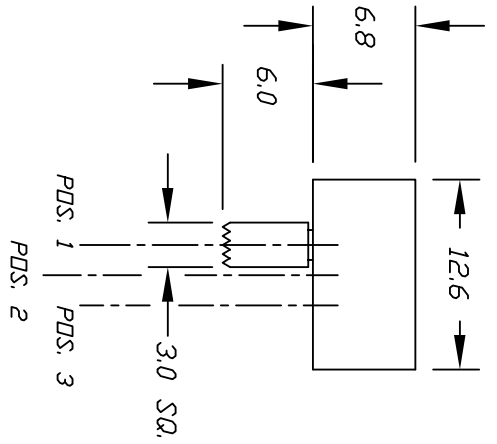
Stocking Distributor

Click to view price, real time Inventory, Delivery & Lifecycle Information:

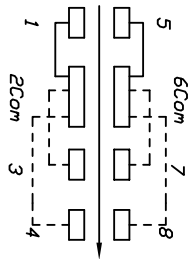
[E-Switch](#)  
[EG2315A94V0](#)

For any questions, you can email us directly:

[sales@integrated-circuit.com](mailto:sales@integrated-circuit.com)



RECOMMEND P.C.B. HOLES



CIRCUIT: DP3T

CONTACT CONFIGURATION

SWITCH FUNCTION			
POS. 1	POS. 2	POS. 3	
2-1	2-3	2-4	
6-5	6-7	6-8	

- NOTES:
1. ALL DIMENSIONS IN MM (IN)
  2. TERM. NOS. FOR REF ONLY
  3. RATING: DC 30V, 0.2A
  4. TRAVEL: 2 mm x 2
  5. TIMING: NON-SPECIFIED
  6. 2002/95/EC (ROHS) COMPLIANT

B	ADD TIMING NOTE	1/20/09	BLR
A	RELEASED FOR PRODUCTION		
REV.	DESCRIPTION	DATE	CHKD

TOLERANCES

0.0	±0.4
0.00	±0.25

TITLE	EG 2315A -94 V0		
SCALE	2:1	DATE	1/20/09
DR	BLR	DWG	P040263
REV	B		



THE INFORMATION CONTAINED IN THIS DOCUMENT IS PROPRIETARY TO E-SWITCH AND IS NOT TO BE COPIED OR TRANSFERRED