

Excellent Integrated System Limited

Stocking Distributor

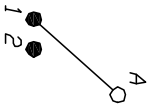
Click to view price, real time Inventory, Delivery & Lifecycle Information:

[E-Switch](#)
[KC12B10.001NLS](#)

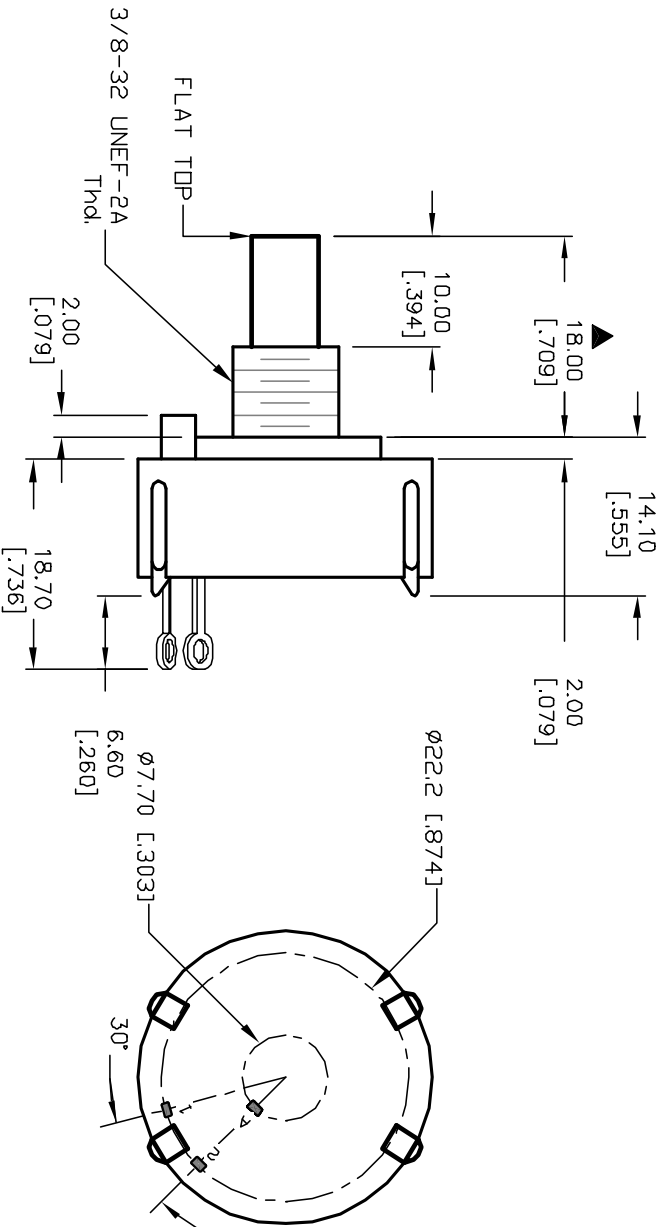
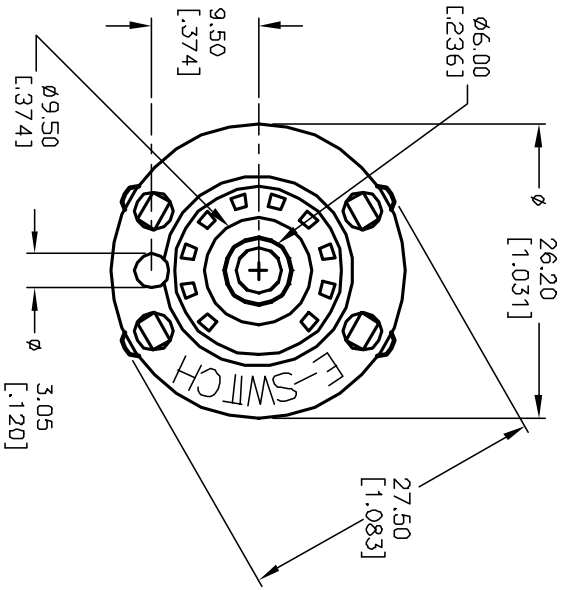
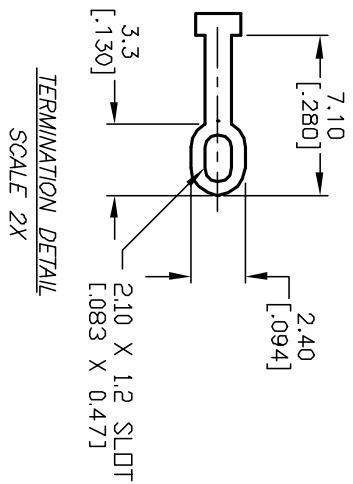
For any questions, you can email us directly:

sales@integrated-circuit.com

- NOTES:
1. ALL DIMENSION IN MM [INCH]
 2. GENERAL TOLERANCE: X.X=±0.4
X.XX=±0.25
 3. TERM. NOS. FOR REF. ONLY
 4. CONTACT RATING SWITCHING: 150mA, 250V AC/DC
350mA, 110V AC/DC
 5. CONTACT RATING (NON-SWITCHING) 5A
 6. CONTACT MATERIAL: SILVER OVER COPPER ALLOY
 7. OPERATING FORCE: 425±100 CM/STANDARD
 8. OPERATING TEMP: -30° to +85°C
 9. CIRCUIT SP: 2 POSITIONS, 30° INDEX
 10. DIELECTRIC STRENGTH 1000V RMS min. @ SEA LEVEL
 11. DESIGNATE MAJOR DIMENSIONS
 11. SUPPLIED LOCK NUT AND WASHER (NOT SHOWN).



CONTACT CONFIGURATION
 Timing: Non-Sparking



E-SWITCH®

REV.	ECN No.	DESCRIPTION	DATE	CHKD
A	12512	RELEASED FOR PRODUCTION	10/28/02	CJB

TITLE	SCALE	DATE	DR	DWG	REV
KC-12-B-(10.0mm) 01-N-L-S	1.5:1	10/28/02	CJB	G527529	A

THE INFORMATION CONTAINED IN THIS DOCUMENT IS PROPRIETARY TO E-SWITCH AND IS NOT TO BE COPIED OR TRANSMITTED