

## Excellent Integrated System Limited

Stocking Distributor

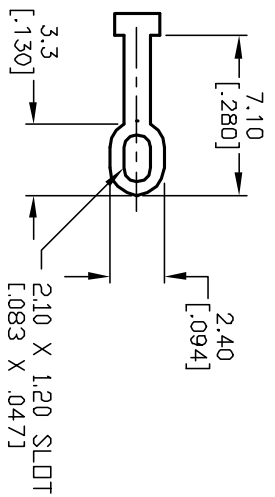
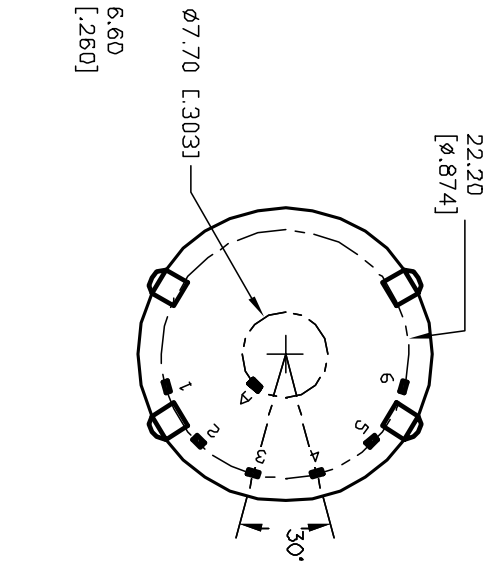
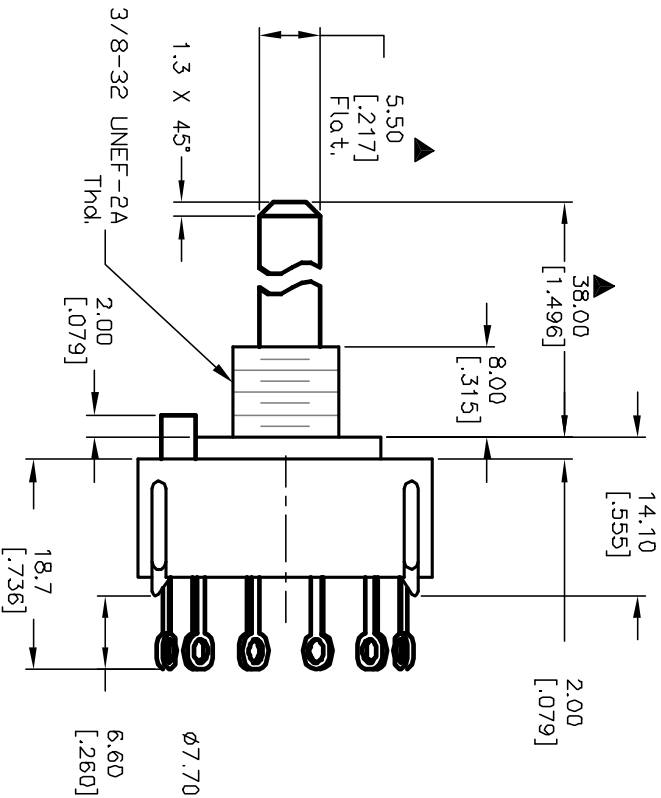
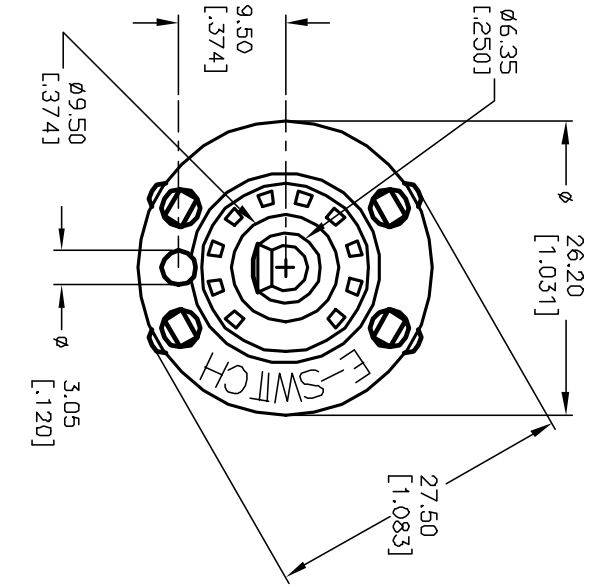
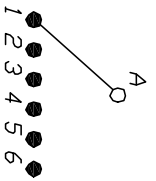
Click to view price, real time Inventory, Delivery & Lifecycle Information:

[E-Switch](#)  
[KC16A30.001SLS](#)

For any questions, you can email us directly:

[sales@integrated-circuit.com](mailto:sales@integrated-circuit.com)

- NOTES:
1. ALL DIMENSION IN MM [INCH]
  2. GENERAL TOLERANCE: X.X=±0.4  
X.XX=±0.25
  3. TERM. NOS. FOR REF. ONLY
  4. CONTACT RATING SWITCHING: 150mA, 250V AC/DC  
350mA, 110V AC/DC
  5. CONTACT RATING (NON SWITCHING): 5A
  6. OPERATING FORCE: 425±100 CM/STANDARD
  7. OPERATING TEMP: -30° to 85°C
  8. CIRCUIT SP: 6 POSITIONS, 30° INDEX.
  9. DIELECTRIC STRENGTH: 1000V RMS min. @Sea Level
  10. DESIGNATE MAJOR DIMENSIONS
  11. SUPPLIED HARDWARE: LOCK NUT AND WASHER (NOT SHOWN).



REV.	ECN No.	REVISED DESC. PER CATALOG DESCRIPTION	DATE	CHKD
B	12615	REVISED DESC. PER CATALOG	12/5/02	CJB

TITLE	SCALE	DATE	DR	DWG	REV
KC-16-A-(30.0mm) 01-S-L-S	1.5:1	5/29/01	CJB	G510704	B

**E-SWITCH®**

THE INFORMATION CONTAINED IN THIS DOCUMENT IS PROPRIETARY TO E-SWITCH AND IS NOT TO BE COPIED OR TRANSMITTED