

Excellent Integrated System Limited

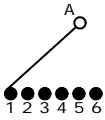
Stocking Distributor

Click to view price, real time Inventory, Delivery & Lifecycle Information:

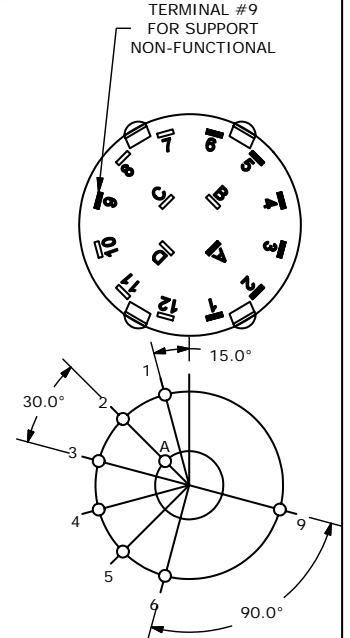
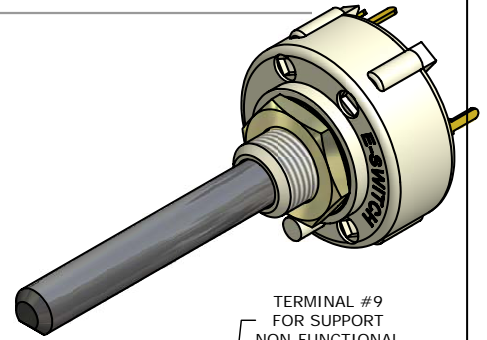
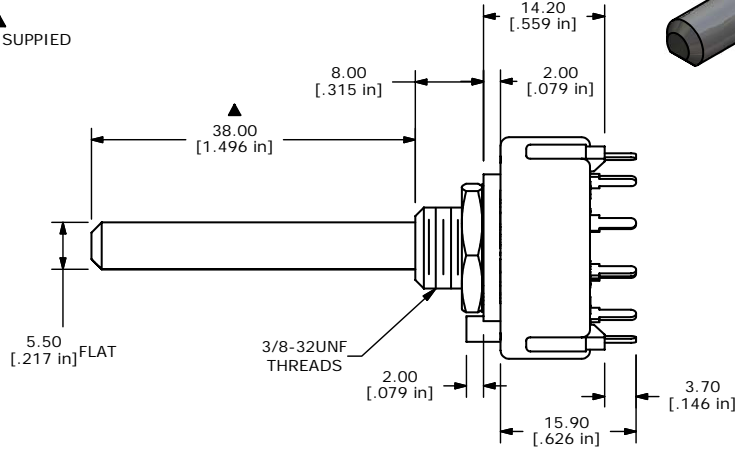
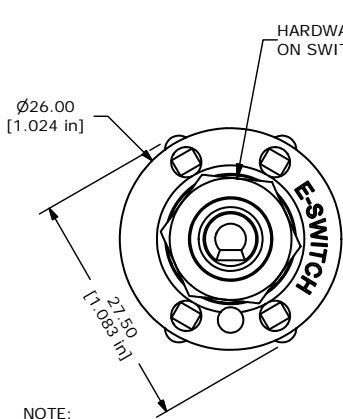
[E-Switch](#)
[KC16A38.001NPS](#)

For any questions, you can email us directly:
sales@integrated-circuit.com

SHEET 1 OF 1



CONTACT CONFIGURATION
TIMING (BBM) NON-SHORTING



- NOTE:
1. ALL DIMENSIONS IN MM[INCH].
 2. GENERAL TOLERANCE: X.X=±0.4
X.XX=±0.25
 3. TERM. NOS. FOR REFERENCE ONLY.
 4. CONTACT MATERIAL: SILVER ALLOY
 5. CONTACT RATING: 0.3A @125 VAC
 6. OPERATING FORCE: 800±300gm-cm
 7. OPERATING TEMP: -30°C TO 85°C
 - ▲ 8. CIRCUIT SP: 6 POSITION 30° INDEX.
 9. DIELECTRIC STRENGTH: 500VAC FOR 1 MIN
 - ▲ 10. HARDWARE SUPPLIED ON SWITCH:
LOCKWASHER, HEXNUT, STOP RING
 11. 2002/95/EC (ROHS) COMPLIANT
 12. PACKAGING: 1,000PCS PER CARTON
 13. ▲DENOTES CRITICAL PARAMETER.

E-SWITCH®

B	15455	ADDED PACKAGING INFORMATION	10/26/05	PH
A	15417	RELEASED FOR PRODUCTION	10/24/05	PH
REV	PCR NO	DESCRIPTION	DATE	BY

TITLE KC16A38.001NPS

SCALE	1.5:1	DATE	10/24/2005	DR	PH	DWG	G510732	REV	B
-------	-------	------	------------	----	----	-----	---------	-----	---

THE INFORMATION CONTAINED IN THIS DOCUMENT IS PROPRIETARY TO E-SWITCH AND IS NOT TO BE COPIED OR TRANSFERRED