

Excellent Integrated System Limited

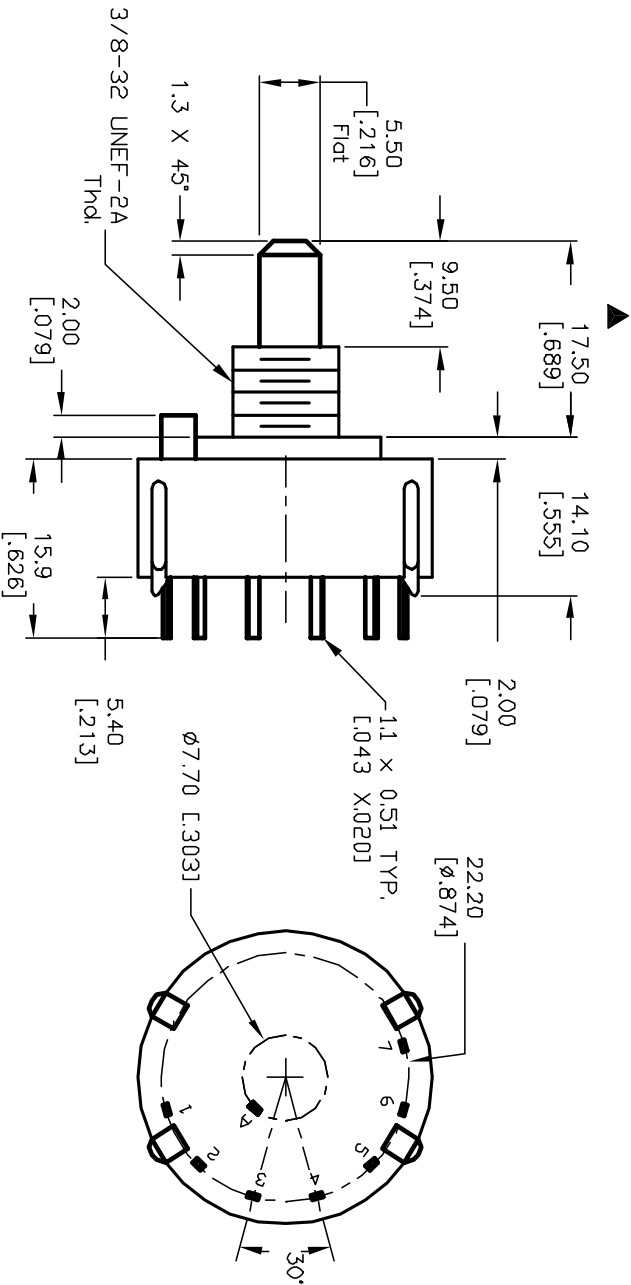
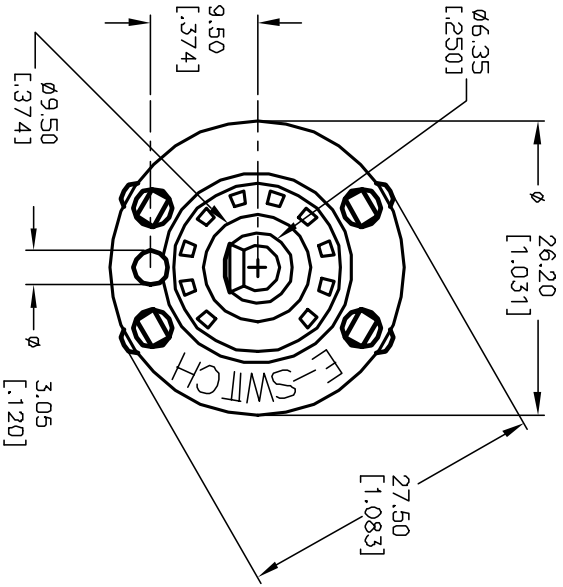
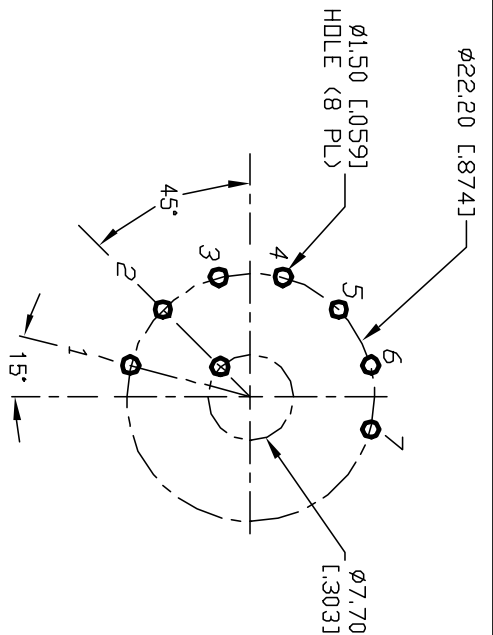
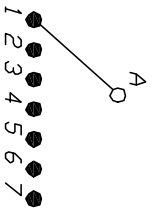
Stocking Distributor

Click to view price, real time Inventory, Delivery & Lifecycle Information:

[E-Switch](#)
[KC17A9.501NPS](#)

For any questions, you can email us directly:
sales@integrated-circuit.com

- NOTES:
1. ALL DIMENSION IN MM [INCH]
 2. GENERAL TOLERANCE: X.X=±0.4
X.XX=±0.25
 3. TERM. NOS. FOR REF. ONLY
 4. CONTACT RATING SWITCHING: 150mA, 250V AC/DC
350mA, 110V AC/DC
 5. CONTACT MATERIAL: SILVER OVER COPPER ALLOY
 6. OPERATING FORCE: 425±100 CM/STANDARD
 7. OPERATING TEMP: -30° to 85°C
 8. CIRCUIT SP: 7 POSITIONS, 30° INDEX.
 9. DIELECTRIC STRENGTH: 1000V RMS min.@SEA LEVEL.
 10. DESIGNATE MAJOR DIMENSIONS
 11. SUPPLIED STOP RING, LOCK NUT AND WASHER (NOT SHOWN).



E-SWITCH®

B	12422	REV PER NEW CATALOG	10/28/02	CJB
A	11275	RELEASED FOR PRODUCTION	3/6/01	RJC
REV.	ECN No.	DESCRIPTION	DATE	CHKD

TITLE	KC-17-A (9.5mm)-01-N-P-S			
SCALE	1.5:1	DATE	3/5/01	DR
				RJC
				DWG
				G100001
REV	B			

THE INFORMATION CONTAINED IN THIS DOCUMENT IS PROPRIETARY TO E-SWITCH AND IS NOT TO BE COPIED OR TRANSMITTED