

Excellent Integrated System Limited

Stocking Distributor

Click to view price, real time Inventory, Delivery & Lifecycle Information:

[E-Switch](#)
[KC23A7.001NPS](#)

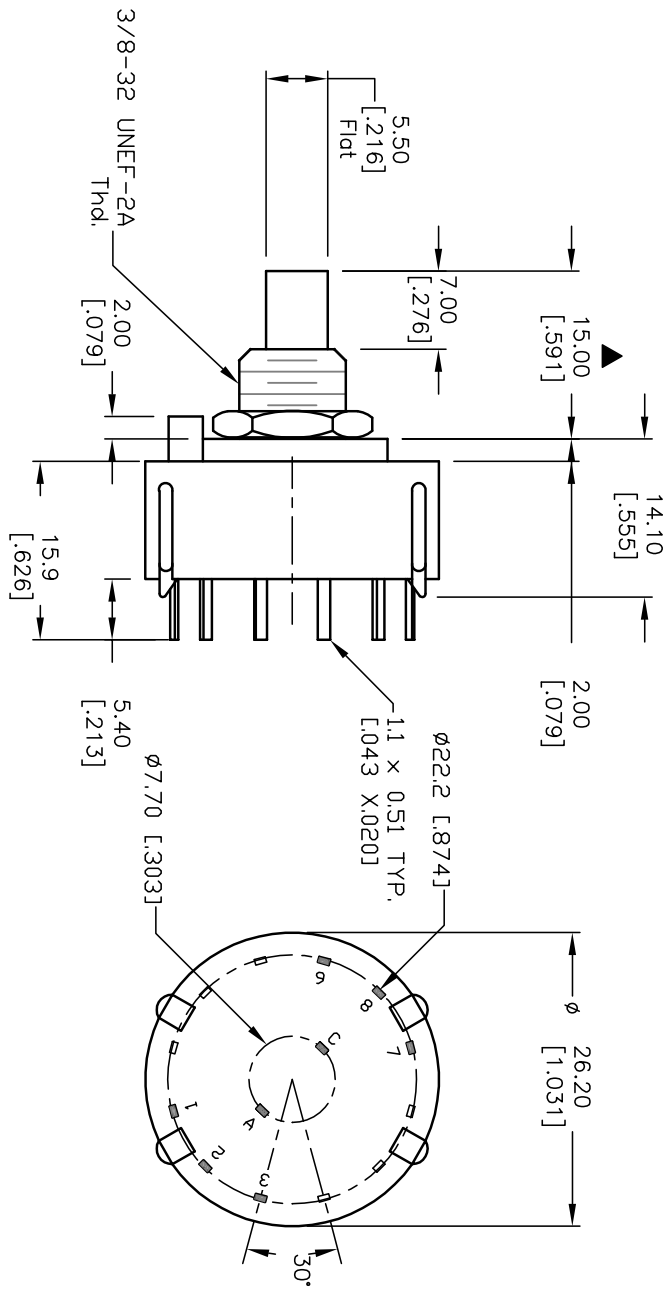
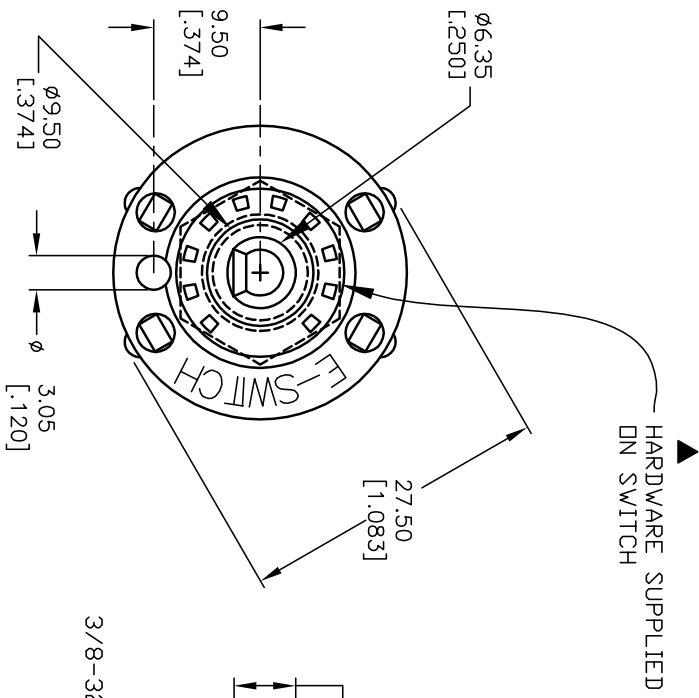
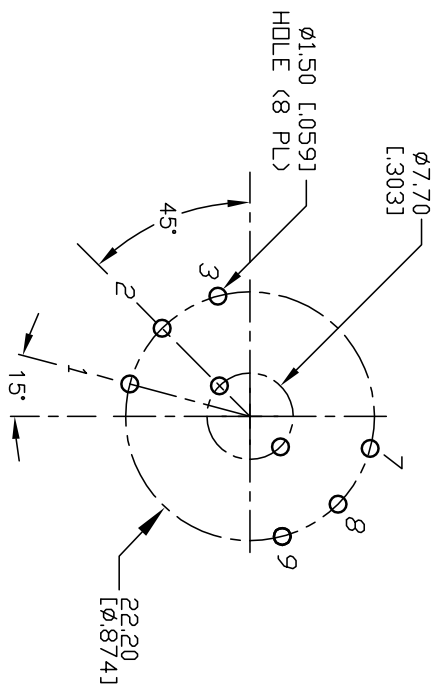
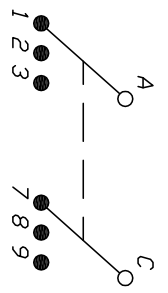
For any questions, you can email us directly:

sales@integrated-circuit.com

SHEET OF

NOTES:

1. ALL DIMENSION IN MM [INCH]
2. GENERAL TOLERANCE: X.X=±0.4 X.XX=±0.25
3. TERM. NOS. FOR REF. ONLY.
4. CONTACT RATING SWITCHING: 150mA, 250V AC/DC 350mA, 110V AC/DC
5. CONTACT RATING (NON-SWITCHING) 5A
6. CONTACT MATERIAL: SILVER OVER COPPER ALLOY
7. OPERATING FORCE: 425±100 CM/STANDARD
8. OPERATING TEMP: -30° to 85°C
9. CIRCUIT DP: 3 POSITIONS, 30° INDEX.
10. TIMING: BBM (Non-Shorting) Break Before Make
11. DIELECTRIC STRENGTH 1000V RMS min. @ SEA LEVEL
12. ▲ DENOTES CRITICAL PARAMETER
13. HARDWARE SUPPLIED ON SWITCH - SEE BELOW STOPRING, LOCKWASHER, & HEXNUT



E-SWITCH®

KC23A7.001NPS

A	13378	RELEASED FOR PRODUCTION	8/15/03	AR
REV.	ECN No.	DESCRIPTION	DATE	CHKD
THE INFORMATION CONTAINED IN THIS DOCUMENT IS PROPRIETARY TO E-SWITCH AND IS NOT TO BE COPIED OR TRANSFERRED				

TITLE		SCALE	DATE	DR	DWG	REV
KC23A7.001NPS		1.5:1	8/15/03	AR	G510202	A