

## Excellent Integrated System Limited

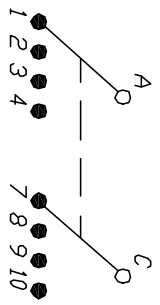
Stocking Distributor

Click to view price, real time Inventory, Delivery & Lifecycle Information:

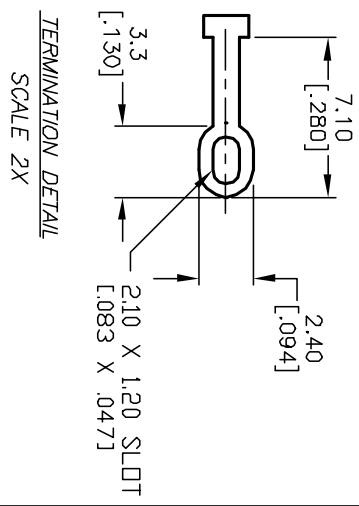
[E-Switch](#)  
[KC24A9.501SLS](#)

For any questions, you can email us directly:  
[sales@integrated-circuit.com](mailto:sales@integrated-circuit.com)

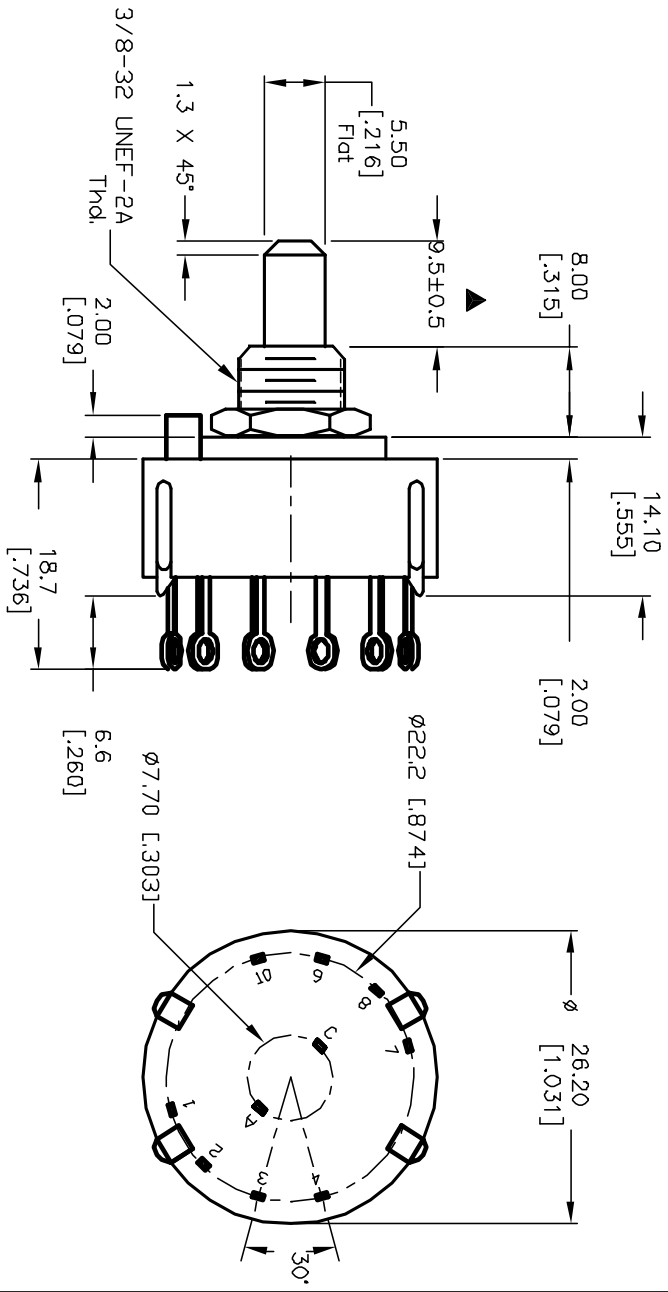
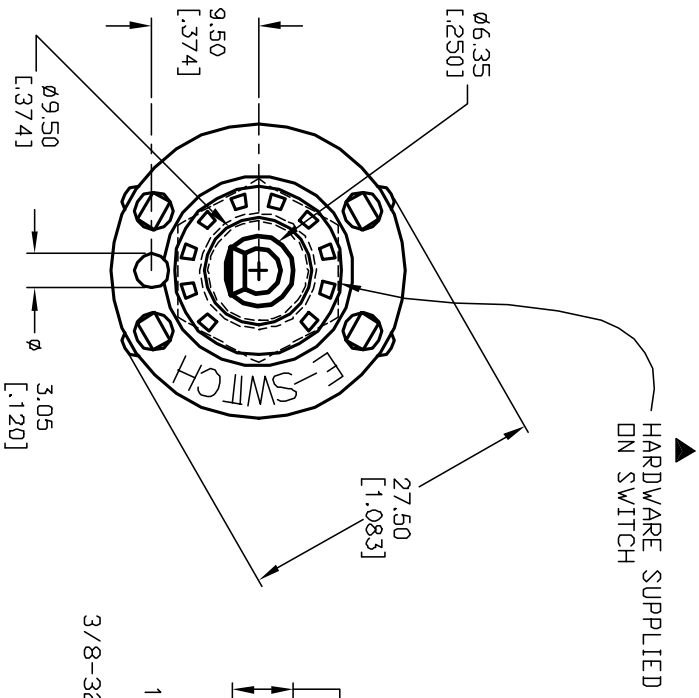
- NOTES:
1. ALL DIMENSION IN MM [INCH]
  2. GENERAL TOLERANCE: X.XX=±0.4  
X.XXX=±0.25
  3. TERM. NOS. FOR REF. ONLY
  4. CONTACT RATING SWITCHING: 150mA, 250V AC/DC  
350mA, 110V AC/DC
  5. CONTACT RATING (NON-SWITCHING) 5A
  6. CONTACT MATERIAL: SILVER OVER COPPER ALLOY
  7. OPERATING FORCE: 425±100 CM/STANDARD
  8. OPERATING TEMP: -30° to 85°C
  9. CIRCUIT DP: 4 POSITIONS, 30° INDEX.
  10. DIELECTRIC STRENGTH 1000V RMS min. @ SEA LEVEL
  11. ▲ DESIGNATE MAJOR DIMENSIONS
  12. HARDWARE SUPPLIED ON SWITCH - SEE BELOW



CONTACT CONFIGURATION  
Timing: Shorting



TERMINATION DETAIL  
SCALE 2X



C	12821	REVISED NOTE 12	3/5/03	CJB
B	12579	REV DESC PER NEW CATALOG	11/19/02	CJB
A	11499	RELEASED FOR PRODUCTION	5/15/01	CJB
REV.	ECN No.	DESCRIPTION	DATE	CHKD

<b>E-SWITCH®</b>	
TITLE	KC-24A (9.5mm) 01-S-L-S
SCALE	1.5:1
DATE	5/15/01
DR	CJB
DWG	G510897
REV	C

THE INFORMATION CONTAINED IN THIS DOCUMENT IS PROPRIETARY TO E-SWITCH AND IS NOT TO BE COPIED OR TRANSMITTED