

Excellent Integrated System Limited

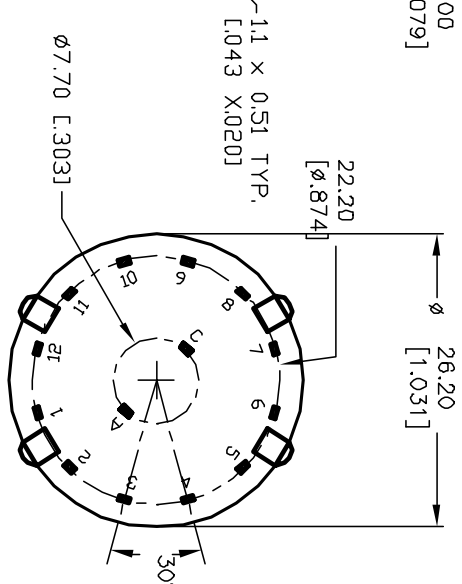
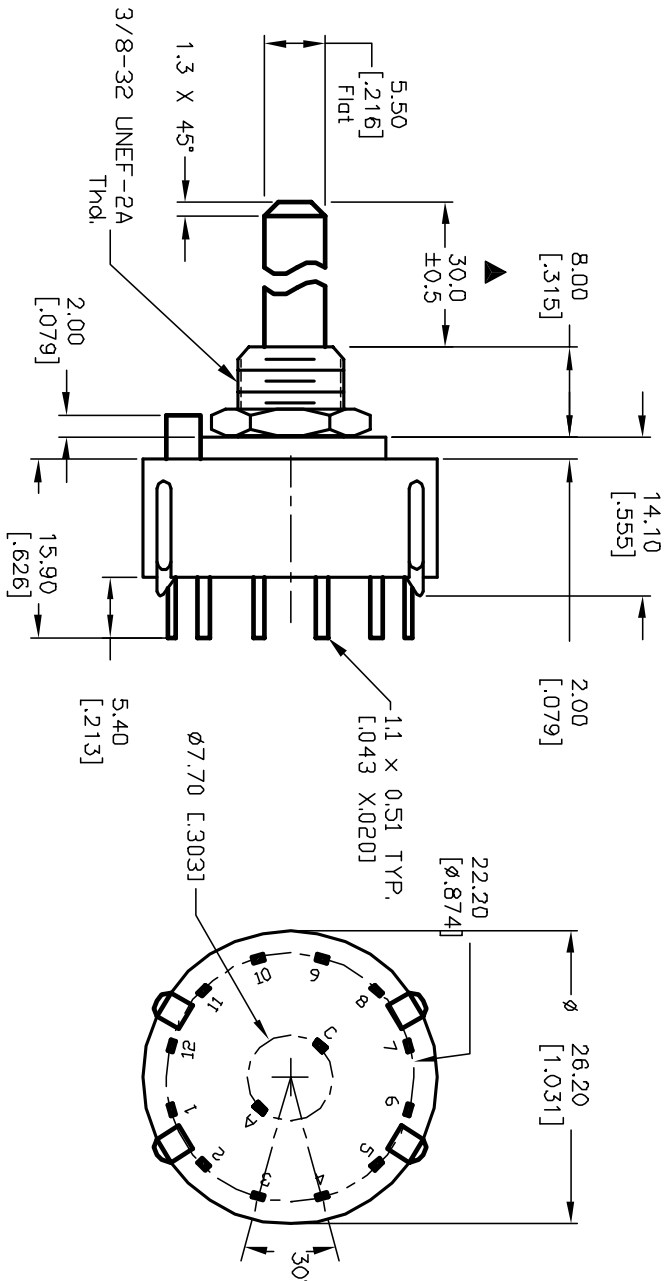
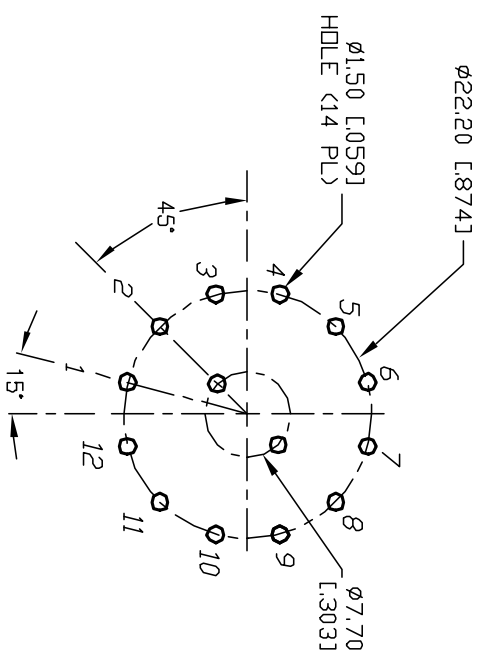
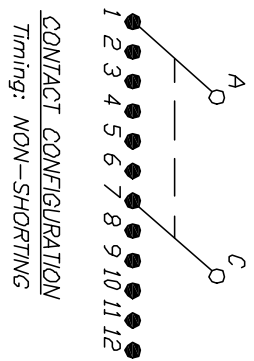
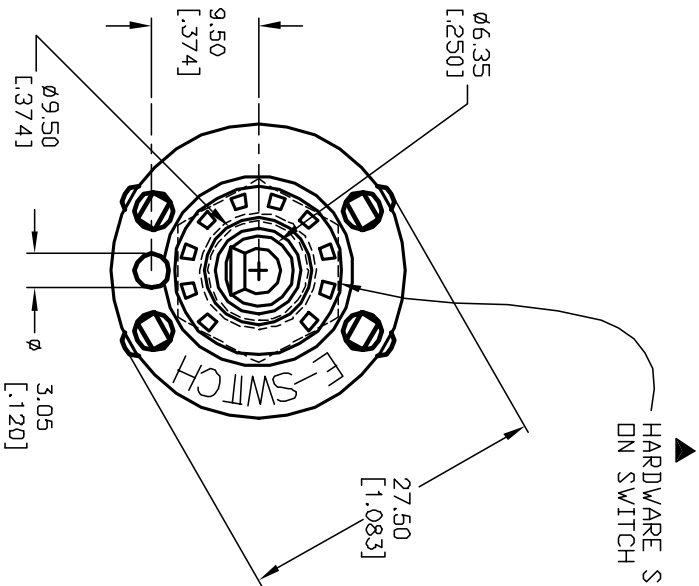
Stocking Distributor

Click to view price, real time Inventory, Delivery & Lifecycle Information:

[E-Switch](#)
[KC26A30.001NPF](#)

For any questions, you can email us directly:
sales@integrated-circuit.com

- NOTES:
1. ALL DIMENSION IN MM [INCH]
 2. GENERAL TOLERANCE: X.X=±0.4
X.XX=±0.25
 3. TERM. NOS. FOR REF. ONLY
 4. CONTACT RATING SWITCHING: 150mA, 250V AC/DC
350mA, 110V AC/DC
 5. OPERATING FORCE: 425±100 CM/STANDARD
 6. CONTACT MATERIAL: GOLD FLASH (AU FLASH OVER
1 MICRON AG over 2 Micron Ni)
 7. OPERATING TEMP: -30° to 85°C
 8. CIRCUIT DP: 6 POSITIONS, 30° INDEX.
 9. DESIGNATE MAJOR DIMENSIONS
 10. HARDWARE SUPPLIED ON SWITCH - SEE BELOW
STOPRING, LOCKWASHER, & HEXNUT



| | | | | |
|------|---------|-------------------------|--------|------|
| B | 12821 | REV DESC/ NEW CATALOG | 3/5/03 | CJB |
| A | 11276 | RELEASED FOR PRODUCTION | 3/2/01 | CJB |
| REV. | ECN No. | DESCRIPTION | DATE | CHKD |

| | | | | | | | |
|--------------------------|--|-------|--|--------|-----|---------|-----|
| TITLE | | SCALE | | DATE | DR | DWG | REV |
| KC-26-A-(30.0mm)01-N-P-F | | 1.5:1 | | 3/2/01 | CJB | G510449 | B |

E-SWITCH®

THE INFORMATION CONTAINED IN THIS DOCUMENT IS PROPRIETARY TO E-SWITCH AND IS NOT TO BE COPIED OR TRANSMITTED