

Excellent Integrated System Limited

Stocking Distributor

Click to view price, real time Inventory, Delivery & Lifecycle Information:

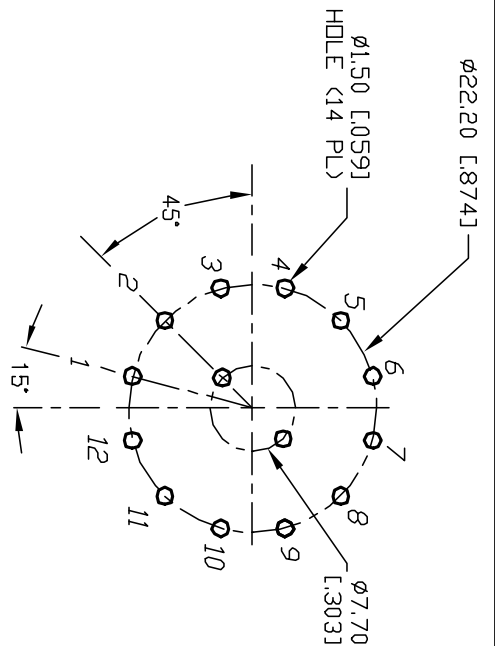
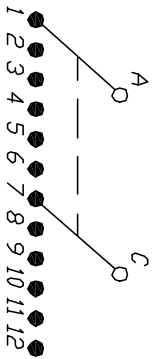
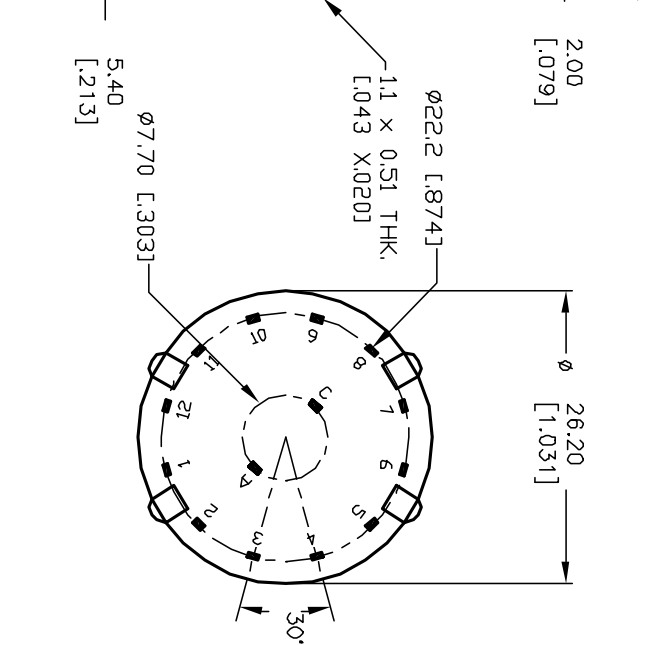
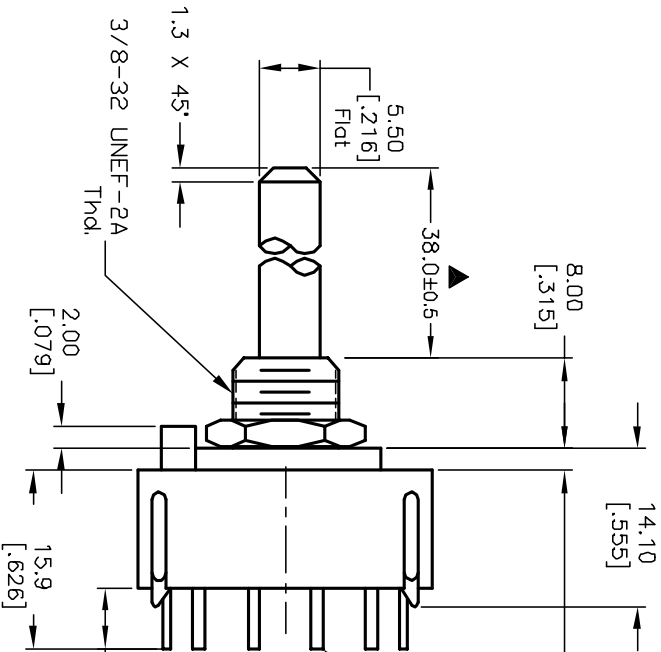
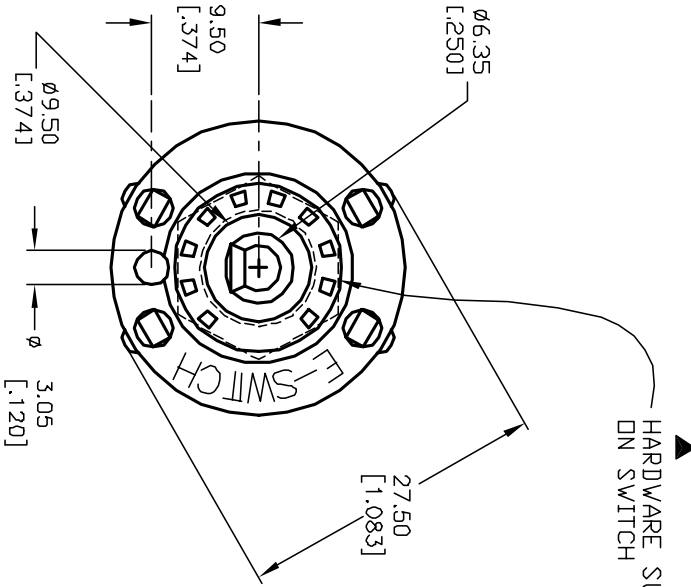
[E-Switch](#)
[KC26A38.001NPS](#)

For any questions, you can email us directly:

sales@integrated-circuit.com

NOTES:

1. ALL DIMENSION IN MM [INCH]
2. GENERAL TOLERANCE: X.X=±0.4
X.XX=±0.25
3. TERM. NOS. FOR REF. ONLY
4. CONTACT RATING SWITCHING: 150mA, 250V AC/DC
350mA, 110V AC/DC
5. CONTACT RATING (NON-SWITCHING) 5A
6. OPERATING FORCE: 425±100 CM/STANDARD
7. OPERATING TEMP: -30° to 85°C
8. CIRCUIT DP: 6 POSITIONS, NON SHORTING, 30° INDEX.
9. DIELECTRIC STRENGTH 1000V RMS min. @ SEA LEVEL.
10. DESIGNATE MAJOR DIMENSIONS
11. HARDWARE SUPPLIED ON SWITCH - SEE BELOW STOPPING, LOCKWASHER, & HEXNUT
12. ▲ DENOTES CRITICAL PARAMETER.



RECOMMENDED P.C.B. LAYOUT

| | | | | |
|------|---------|-------------------------|---------|------|
| REV. | ECN No. | DESCRIPTION | DATE | CHKD |
| A | 12970 | RELEASED FOR PRODUCTION | 3/27/03 | AR |

| | | | | | |
|----------------|-------|---------|----|---------|-----|
| TITLE | SCALE | DATE | DR | DWG | REV |
| KC26A38.001NPS | 1.5:1 | 3/27/03 | AR | G523761 | A |

E-SWITCH®

THE INFORMATION CONTAINED IN THIS DOCUMENT IS PROPRIETARY TO E-SWITCH AND IS NOT TO BE COPIED OR TRANSMITTED