

## Excellent Integrated System Limited

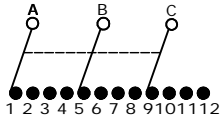
Stocking Distributor

Click to view price, real time Inventory, Delivery & Lifecycle Information:

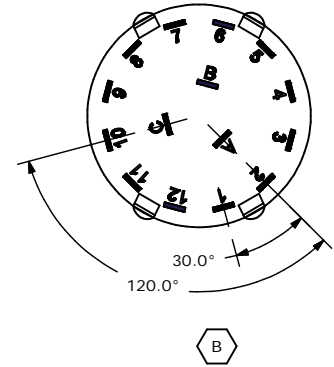
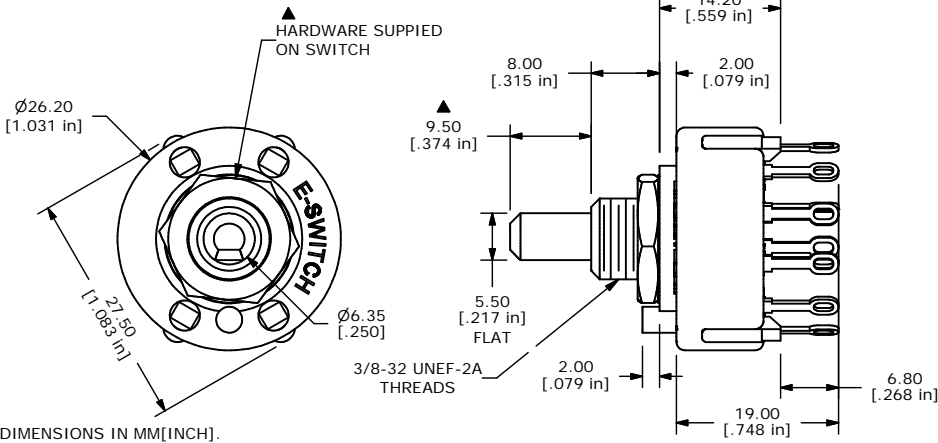
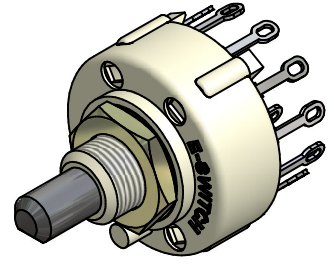
[E-Switch](#)  
[KC30A9.501NLS](#)

For any questions, you can email us directly:  
[sales@integrated-circuit.com](mailto:sales@integrated-circuit.com)

SHEET 1 OF 1



CONTACT CONFIGURATION  
TIMING (BBM) NON-SHORTING



- NOTE:
1. ALL DIMENSIONS IN MM[INCH].
  2. GENERAL TOLERANCE: X.X=±0.4  
X.XX=±0.25
  3. TERM. NOS. FOR REFERENCE ONLY.
  4. CONTACT MATERIAL: SILVER
  5. CONTACT RATING: 150MILLIAMP, 250VAC/DC  
350MILLIAMP, 110VAC/DC
  6. CONTACT RATING (NON-SWITCHING) 5A
  7. OPERATING FORCE 425±100CM/STANDARD
  8. OPERATING TEMP: -30°C TO 85°C
  - ▲ 9. CIRUIT 3P: 4 POSITION 30° INDEX. - NO STOPS
  10. DIELECTRIC STRENGTH: 1000V RMS MIN.@ SEA LEVEL.
  - ▲ 11. HARDWARE SUPPLIED ON SWITCH:  
LOCKWASHER, HEXNUT
  12. ▲ DENOTES CRITICAL PARAMETER.



B	14299	CORRECT BOTTOM VIEW	9/8/04	AR
A	14092	RELEASED FOR PRODUCTION	6/11/04	AR
REV	PCR NO	DESCRIPTION	DATE	BY

TITLE KC30A9.501NLS				
SCALE	DATE	DR	DWG	REV
1.5:1	6/11/04	AR	G510584	B

THE INFORMATION CONTAINED IN THIS DOCUMENT IS PROPRIETARY TO E-SWITCH AND IS NOT TO BE COPIED OR TRANSFERRED