

Excellent Integrated System Limited

Stocking Distributor

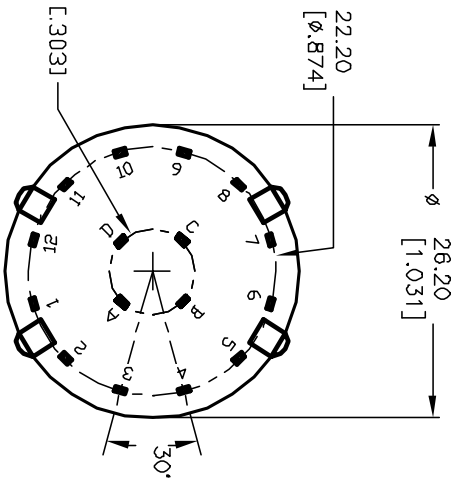
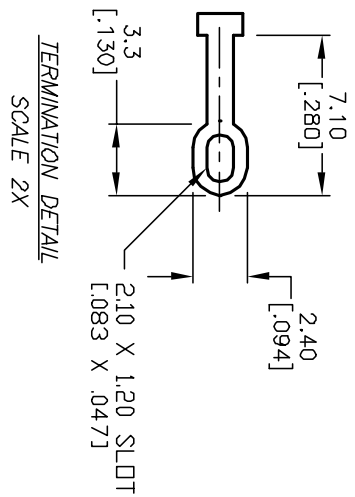
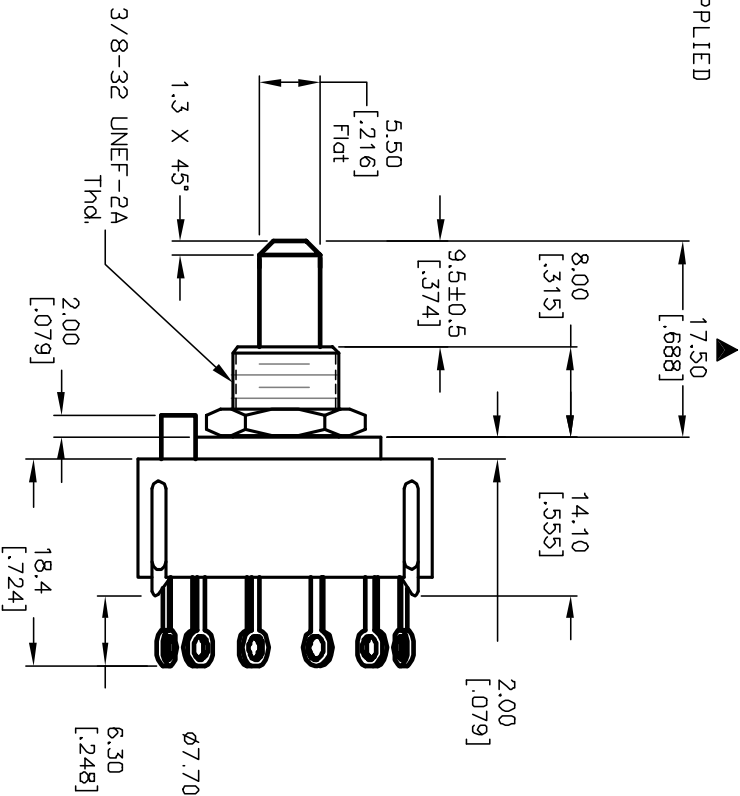
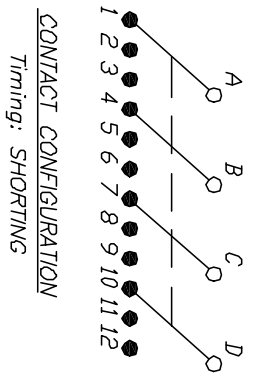
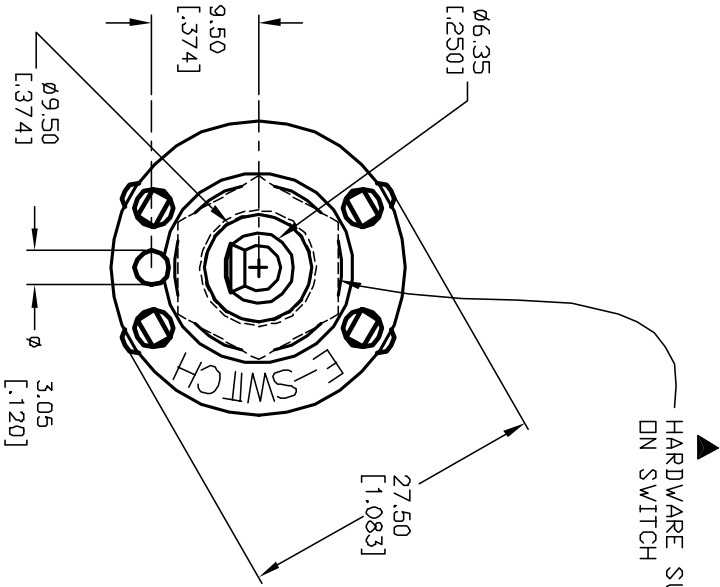
Click to view price, real time Inventory, Delivery & Lifecycle Information:

[E-Switch](#)
[KC43A9.501SLF](#)

For any questions, you can email us directly:

sales@integrated-circuit.com

- NOTES:
1. ALL DIMENSION IN MM [INCH]
 2. GENERAL TOLERANCE: X.X=±0.4
X.XX=±0.25
 3. TERM. NOS. FOR REF. ONLY
 4. CONTACT RATING SWITCHING: 150mA, 250V AC/DC
350mA, 110V AC/DC
 5. CONTACT MATERIAL: GOLD FLASH over Silver plate
 6. OPERATING FORCE: 425±100 CM/STANDARD
 7. OPERATING TEMP: -30° to 85°C
 8. CIRCUIT 4Pole: 3 POSITIONS, 30° INDEX.
 9. DIELECTRIC STRENGTH: 1000V RMS min. @SEA LEVEL.
 10. DESIGNATE MAJOR DIMENSIONS
 11. HARDWARE SUPPLIED ON SWITCH -SEE BELOW
LOCKING RING, LOCKWASHER, & HEX NUT.



REV.	ECN No.	DESCRIPTION	DATE	CHKD
A	12869	RELEASED FOR PRODUCTION	2/28/03	CB
B				

TITLE	SCALE	DATE	DR	DWG	REV
KC-43-A-(9.5mm) 01-S-L-F	1.5:1	2/28/03	CB	G510271	A

E-SWITCH®

THE INFORMATION CONTAINED IN THIS DOCUMENT IS PROPRIETARY TO E-SWITCH AND IS NOT TO BE COPIED OR TRANSMITTED