

Excellent Integrated System Limited

Stocking Distributor

Click to view price, real time Inventory, Delivery & Lifecycle Information:

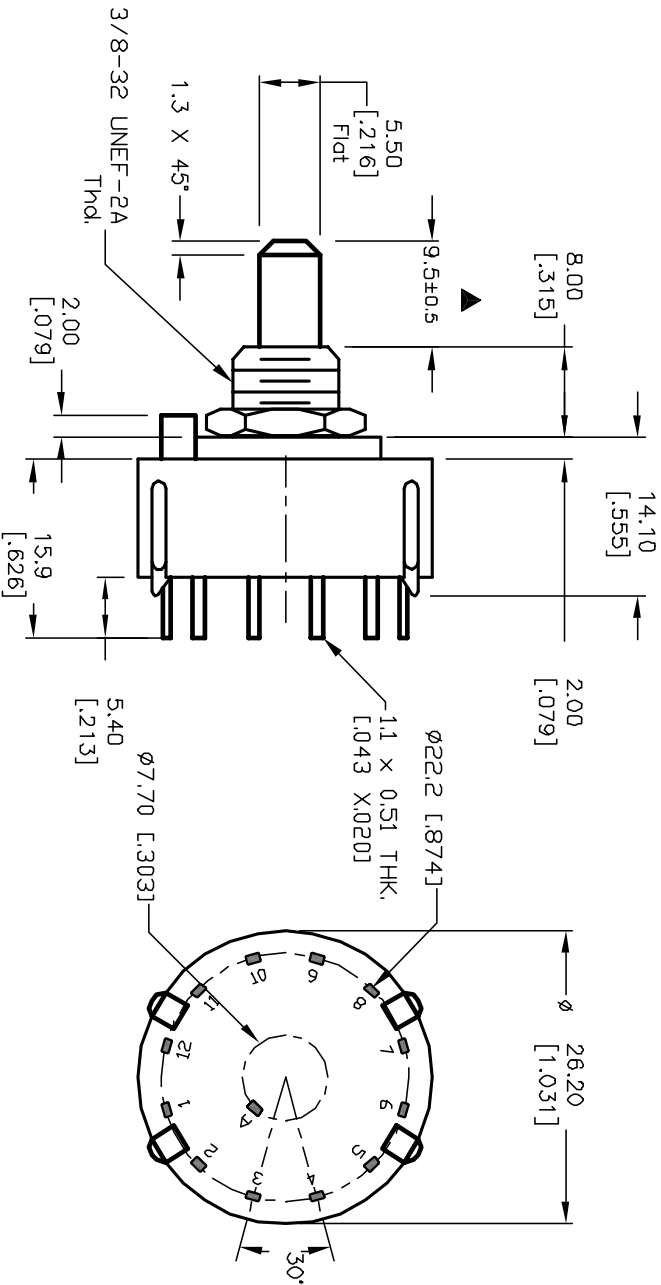
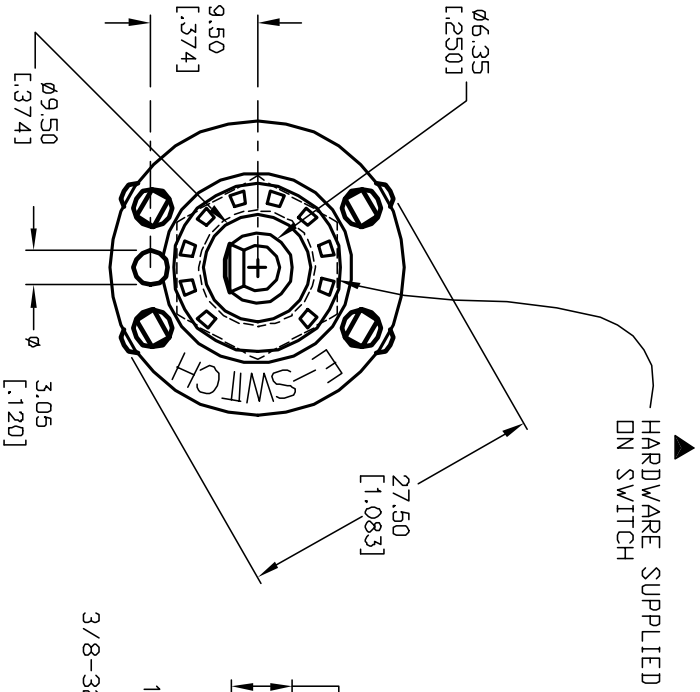
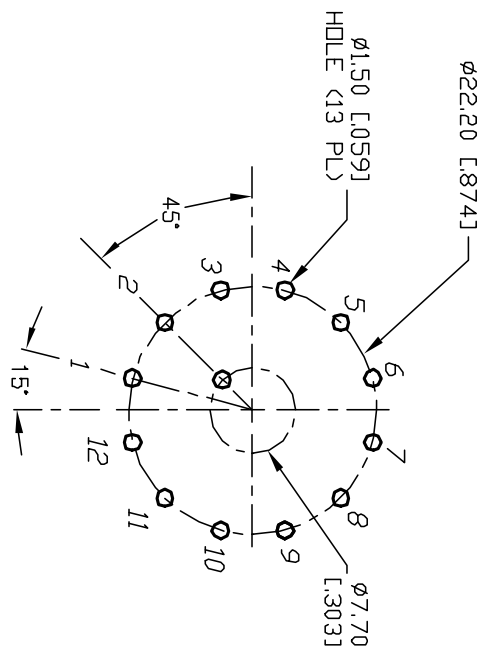
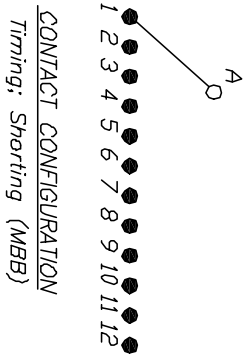
[E-Switch](#)
[KC52A9.501SPF](#)

For any questions, you can email us directly:

sales@integrated-circuit.com

NOTES:

1. ALL DIMENSION IN MM [INCH]
2. GENERAL TOLERANCE: X.X=±0.4
X.XX=±0.25
3. TERM. NOS. FOR REF. ONLY
4. CONTACT RATING SWITCHING: 150mA, 250V AC/DC
350mA, 110V AC/DC
5. CONTACT RATING (NON-SWITCHING) 5A
6. CONTACT MATERIAL: GOLD FLASH OVER COPPER ALLOY
7. OPERATING FORCE: 425±100 CM/STANDARD
8. OPERATING TEMP: -30° to 85°C
9. CIRCUIT SP: 12 POSITIONS, 30° INDEX.
10. DIELECTRIC STRENGTH 1000V RMS min. @ SEA LEVEL
11. DESIGNATE MAJOR DIMENSIONS
12. HARDWARE SUPPLIED ON SWITCH - SEE BELOW STOPRING, LOCKWASHER, & HEXNUT



D	12821	REVISED NOTE 12	3/4/03	CJB
C	12222	REVISED ACTUATOR LENGTH	7/3/02	CJB
B	12249	REV. DESC. PER CATALOG	6/19/02	CJB
A	11278	RELEASED FOR PRODUCTION	3/5/01	CJB
REV.	ECN No.	DESCRIPTION	DATE	CHKD

TITLE		SCALE		DATE	DR	DWG	REV
KC-52-A (9.5mm)-01-S-P-F		1.5:1		3/5/01	CJB	G527548	D
E-SWITCH®							

THE INFORMATION CONTAINED IN THIS DOCUMENT IS PROPRIETARY TO E-SWITCH AND IS NOT TO BE COPIED OR TRANSMITTED