

Excellent Integrated System Limited

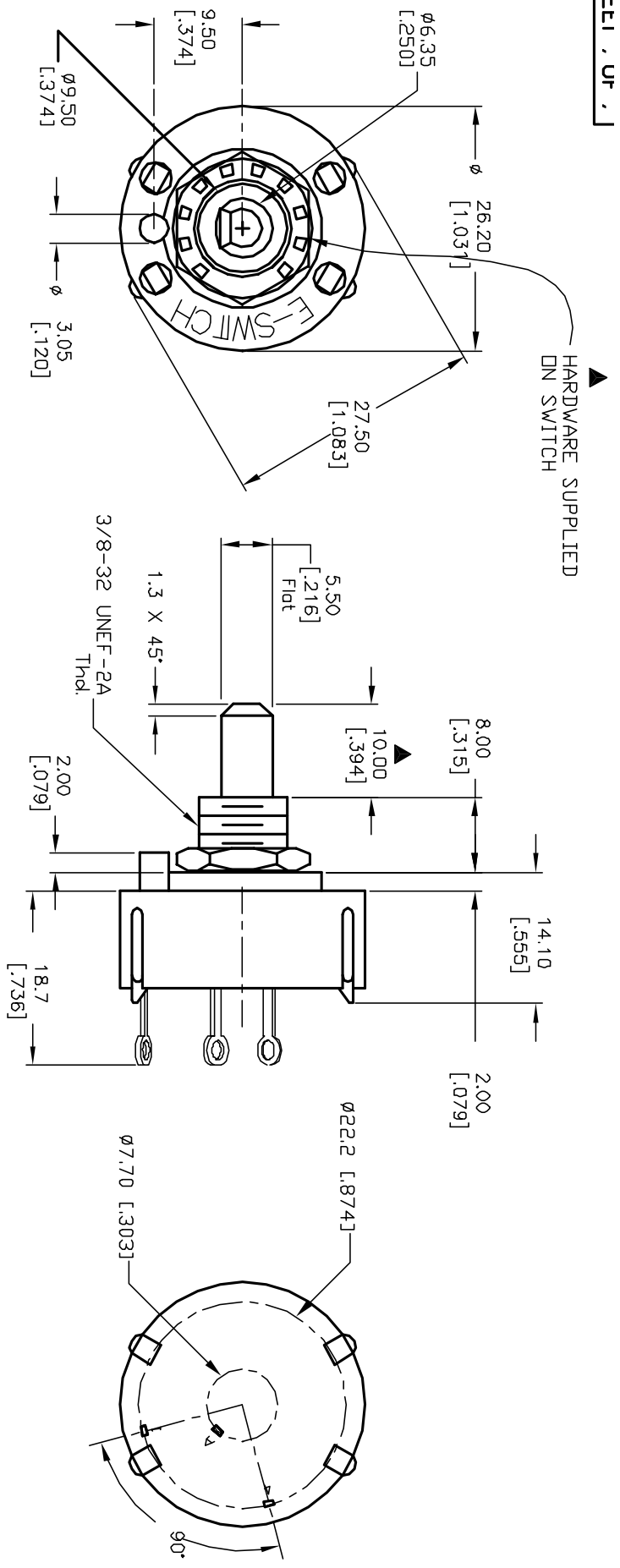
Stocking Distributor

Click to view price, real time Inventory, Delivery & Lifecycle Information:

[E-Switch](#)
[KC54A10.001NLS](#)

For any questions, you can email us directly:
sales@integrated-circuit.com

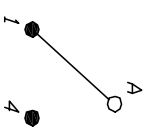
SHEET 1 OF 1



▲ HARDWARE SUPPLIED
 DN SWITCH

NOTES:

1. ALL DIMENSION IN MM [INCH]
2. GENERAL TOLERANCE: X:X=±0.4
X:XX=±0.25
3. TERM. NOS. FDR REF. ONLY
4. CONTACT RATING SWITCHING: 150mA, 250V AC/DC
350mA, 110V AC/DC
5. OPERATING FORCE: 425±100 CM/STANDARD
6. OPERATING TEMP: -30° to 85°C
7. CIRCUIT SP: 2 POSITIONS, 90° INDEX.
8. DIELECTRIC STRENGTH: 1000V RMS min. @Sea Level
9. HARDWARE SUPPLIED ON SWITCH - SEE BELOW
STOP RING, LOCKWASHER, & HEXNUT
10. ▲ DENOTES CRITICAL PARAMETER.



CONTACT CONFIGURATION (BBM)

TERMINATION DETAIL SCALE 2X

REV.	ECN NO.	DESCRIPTION	DATE	CHKD
A	13082	RELEASED FOR PRODUCTION	4/24/03	AR

TITLE	SCALE	DATE	DR	DWG	REV
KC54A10.001NLS	1.5:1	4/24/03	AR	G527562	A

E-SWITCH®

THE INFORMATION CONTAINED IN THIS DOCUMENT IS PROPRIETARY TO E-SWITCH AND IS NOT TO BE COPIED OR TRANSFERRED