

## Excellent Integrated System Limited

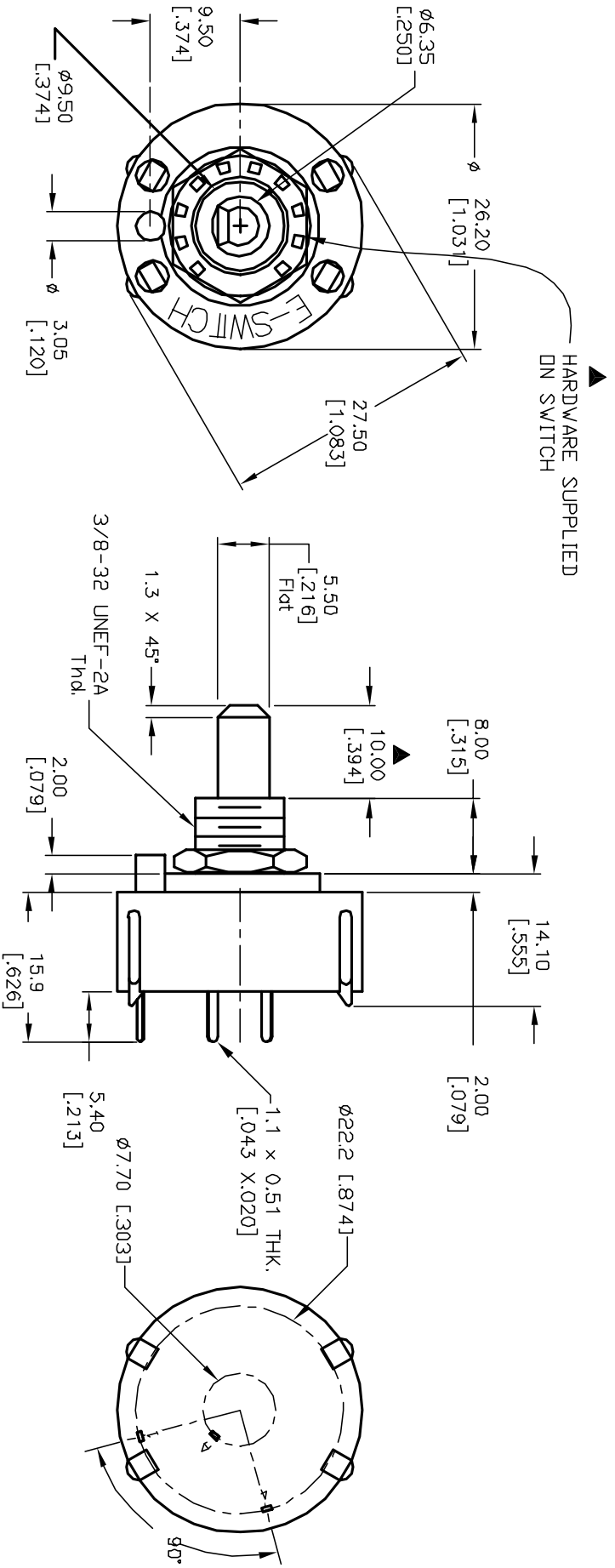
Stocking Distributor

Click to view price, real time Inventory, Delivery & Lifecycle Information:

[E-Switch](#)  
[KC54A10.001NPS](#)

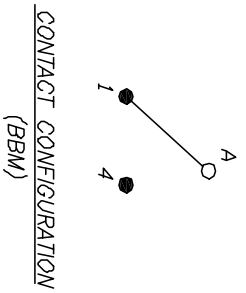
For any questions, you can email us directly:

[sales@integrated-circuit.com](mailto:sales@integrated-circuit.com)



- NOTES:
1. ALL DIMENSION IN MM [INCH]
  2. GENERAL TOLERANCE: X:X=±0.4  
X:XX=±0.25
  3. TERM. NDS. FDR REF. ONLY
  4. CONTACT RATING SWITCHING: 150mA, 250V AC/DC  
350mA, 110V AC/DC
  5. OPERATING FORCE: 425±100 CM/STANDARD
  6. OPERATING TEMP: -30° to 85°C
  7. CIRCUIT SP: 2 POSITIONS, 90° INDEX.
  8. DIELECTRIC STRENGTH: 1000V RMS min. @Sea Level
  9. HARDWARE SUPPLIED ON SWITCH - SEE BELOW  
STOP RING, LOCKWASHER, & HEXNUT
  10. ▲ DENOTES CRITICAL PARAMETER.

▲ HARDWARE SUPPLIED ON SWITCH



|  |         |                         |         |      |                  |       |         |    |         |     |
|--|---------|-------------------------|---------|------|------------------|-------|---------|----|---------|-----|
| REV.   | ECN NO. | DESCRIPTION             | DATE    | CHKD | TITLE            | SCALE | DATE    | DR | DWG     | REV |
| A  | 13146   | RELEASED FOR PRODUCTION | 5/22/03 | AR   | KC54A10.001NPS   | 1.5:1 | 5/22/03 | AR | G527563 | A   |
| THE INFORMATION CONTAINED IN THIS DOCUMENT IS PROPRIETARY TO E-SWITCH AND IS NOT TO BE COPIED OR TRANSMITTED |         |                         |         |      | <b>E-SWITCH®</b> |       |         |    |         |     |