

Excellent Integrated System Limited

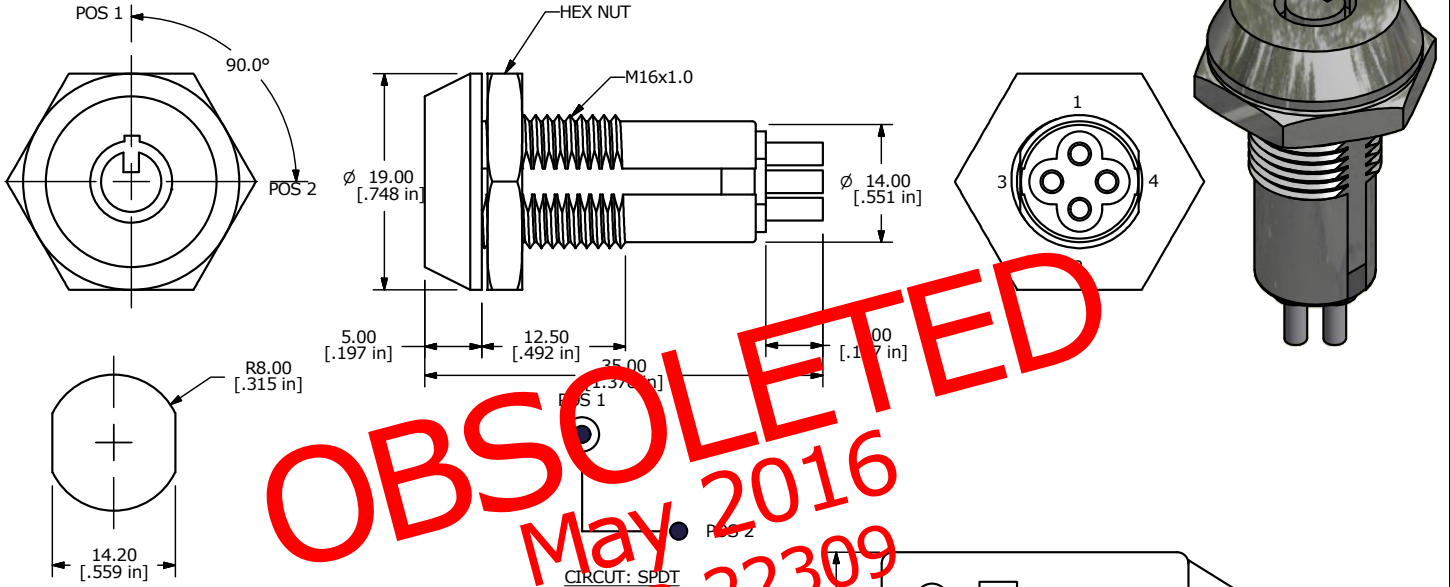
Stocking Distributor

Click to view price, real time Inventory, Delivery & Lifecycle Information:

[E-Switch](#)
[KO104A10002](#)

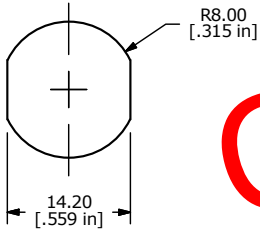
For any questions, you can email us directly:
sales@integrated-circuit.com

SHEET 1 OF 1



OBSOLETE
 May 2016
 PCR 22309

RECOMMENDED PANEL CUTOUT



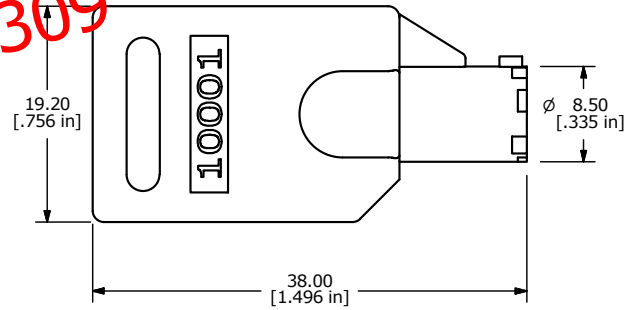
- NOTES:**
1. ALL DIMENSIONS IN MM[INCH]
 2. GENERAL TOLERANCE: $x.x = \pm 0.4$
 $x.xx = \pm 0.25$
 3. TERM. NOS. FOR REFERENCE ONLY.
 4. RATING: 3A @125VAC, 1.5A @250VAC
 5. CONTACT RESISTANCE: 20milli-OHMS MAX
 6. DIELECTRIC STRENGTH: 1500 Vrms
 7. INSULATION RESISTANCE: 200 MEGA-OHMS MIN.
 8. MATERIALS:

HOUSING: ZINC ALLOY DIE CAST W/ CHROME PLATING
 CYLINDER: ZINC ALLOY DIE CAST W/CHROME PLATING
 TERMINAL AND CONTACTS: SILVER PLATED
 KEYS (2) KEY CODE 10002: TUBULAR ZINC ALLOY, CHROME PLATING
 W/PLASTIC COVER

CIRCUIT: SPDT
 CONTACT CONFIGURATION:
 90° INDEXING

SWITCH FUNCTION	
POS 1	POS 2
↑	→
ON	ON
TERM 1-2	TERM 3-4

LEGEND
 = INDICATES KEY PULL POSSIBLE
 = INDICATES DETENT POSITION



B	16496	FIXED SWITCH FUNCTION TO ON-ON	9/28/2006	TN
A	16477	NEW PART RELEASE	9/26/2006	TN
REV	PCR NO	DESCRIPTION	DATE	BY

TITLE K0104A10002				
SCALE 2:1	DATE 9/26/2006	DR TN	DWG K300111	REV B

THE INFORMATION CONTAINED IN THIS DOCUMENT IS PROPRIETARY TO E-SWITCH AND IS NOT TO BE COPIED OR TRANSFERRED