

Excellent Integrated System Limited

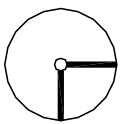
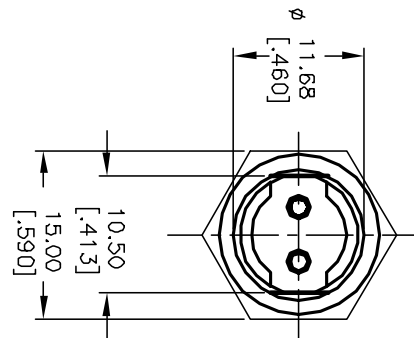
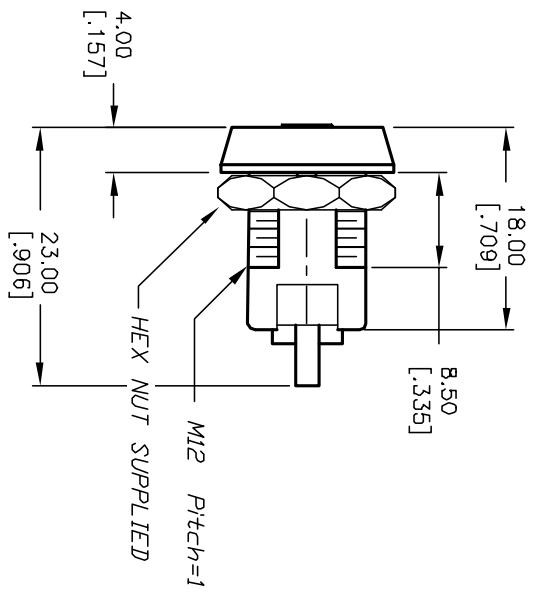
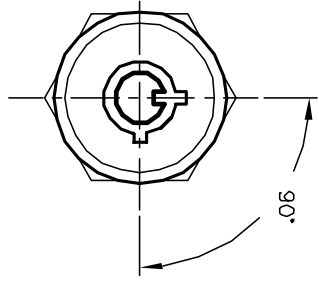
Stocking Distributor

Click to view price, real time Inventory, Delivery & Lifecycle Information:

[E-Switch](#)
[KO105A1001](#)

For any questions, you can email us directly:

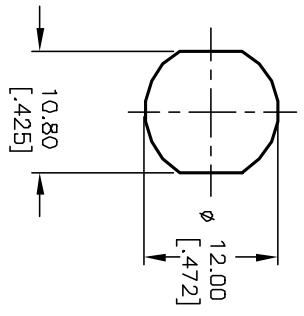
sales@integrated-circuit.com



CIRCUIT: SPST
 CONTACT CONFIGURATION

SWITCH FUNCTION	POS 1	POS 2
OFF	↖	↗
ON	↗	↖

LEGEND
 ○ = OFF POSITION
 ■ = INDICATES KEY PULL



RECOMMENDED PANEL CUTOUT

- NOTES:
1. ALL DIMENSIONS IN MM [INCH]
 2. GENERAL TOLERANCE: X.X=±0.4 X.XX=±0.25
 3. TERM. NOS. FDR REFERENCE ONLY.
 4. RATING: 1A @125VAC, 0.5A @250VAC
 5. CONTACT RESISTANCE: 10mILLI-OHMS
 6. DIELECTRIC STRENGTH: 1000 VAC-1Minute
 7. INSULATION RESISTANCE: 200 Mega-OHMS min.
 8. MATERIALS:
 HOUSING: ZINC ALLOY DIE CAST
 CYLINDER: ZINC ALLOY W/CHROME PLATING
 TERMINAL AND CONTACTS: SILVER PLATED
 KEYS (2) KEY CODE 1001: TUBULAR
 ZINC ALLOY, CHROME PLATING

REV.	ECN No.	DESCRIPTION	DATE	CHKD	CJB
A	11746	RELEASED FOR PRODUCTION	10/16/01		

THE INFORMATION CONTAINED IN THIS DOCUMENT IS PROPRIETARY TO E-SWITCH AND IS NOT TO BE COPIED OR TRANSMITTED

E-SWITCH®

TITLE: KO105A-1001

SCALE: 1.5:1

DATE: 10/16/01

DR: CJB

DWG: K100301

REV: A