

Excellent Integrated System Limited

Stocking Distributor

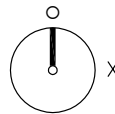
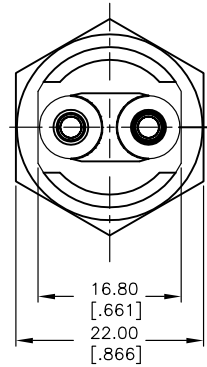
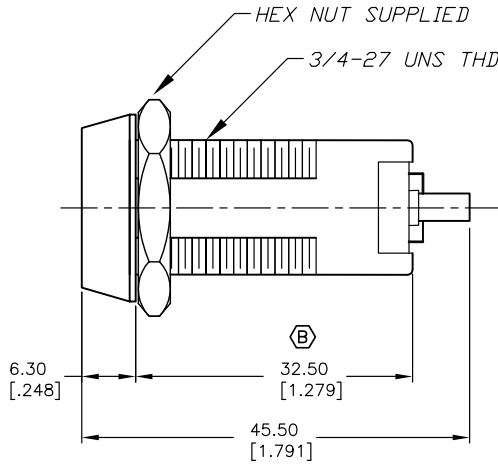
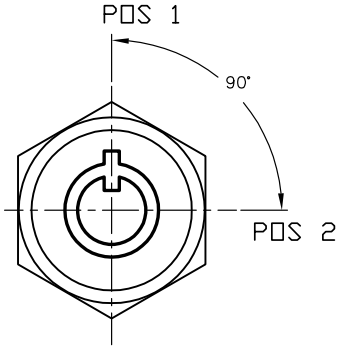
Click to view price, real time Inventory, Delivery & Lifecycle Information:

[E-Switch](#)
[KO113A10001](#)

For any questions, you can email us directly:

sales@integrated-circuit.com

SHEET OF

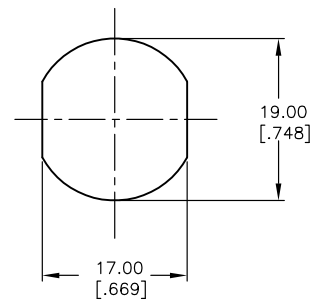


CIRCUIT: SPST
CONTACT CONFIGURATION

SWITCH FUNCTION	
CONNECTED TERM#	
POS 1	POS 2
↑	→
OFF	ON

LEGEND

- =OFF POSITION
- =INDICATES KEY PULL
- X =INDICATES NO KEY PULL



RECOMMENDED PANEL CUTOUT

NOTES:

1. ALL DIMENSIONS IN MM [INCH]
2. GENERAL TOLERANCE: X.X=±0.4
X.XX=±0.25
3. TERM. NOS. FOR REFERENCE ONLY.
4. RATING: 4A @125VAC, 2A @250VAC
5. CONTACT RESISTANCE: 10mILLI-OHMS
6. DIELECTRIC STRENGTH: 1500 VAC-1Minute
7. INSULATION RESISTANCE: 200Mega-OHMS
8. MATERIALS:
 HOUSING: ZINC ALLOY DIE CAST
 CYLINDER: ZINC ALLOY W/CHROME PLATING
 TERMINAL AND CONTACTS: SILVER PLATED
 ▲ KEYS (2) CODE 10001: TUBULAR STEEL, NICKEL PLATED

E-SWITCH®

B	13957	DIM WAS 31.80	4/23/04	AR
A	13915	RELEASED FOR PRODUCTION	4/15/04	AR
REV.	ECN No.	DESCRIPTION	DATE	CHKD

TITLE					K0113A-10001				
SCALE	DATE	DR	DWG	REV	1.5:1	4/15/04	AR	K200101	B

THE INFORMATION CONTAINED IN THIS DOCUMENT IS PROPRIETARY TO E-SWITCH AND IS NOT TO BE COPIED OR TRANSFERRED