

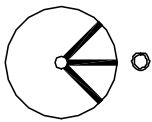
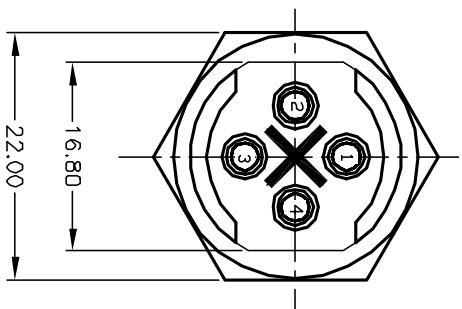
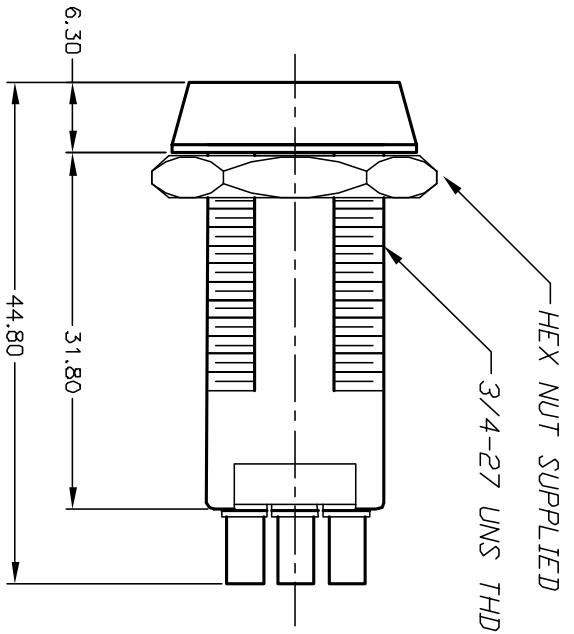
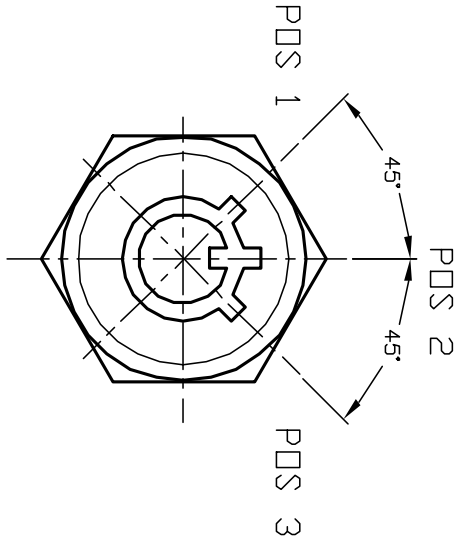
Excellent Integrated System Limited

Stocking Distributor

Click to view price, real time Inventory, Delivery & Lifecycle Information:

[E-Switch](#)
[KO114A10001](#)

For any questions, you can email us directly:
sales@integrated-circuit.com

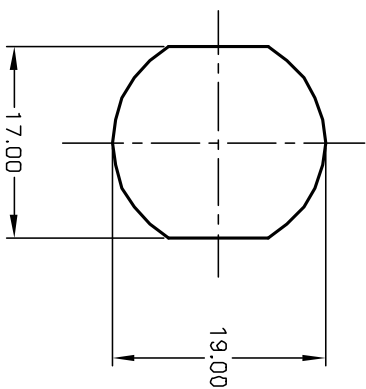


CIRCUIT: SPDT
CONTACT CONFIGURATION

SWITCH FUNCTION	CONNECTED TERM#	POS 1	POS 2	POS 3
↙	↘	↘	↙	↘
DN	OFF	DN	DN	DN
1-3				2-4

LEGEND ○ = OFF POSITION

■ = INDICATES KEY PULL



RECOMMENDED PANEL CUTOUT

NOTES:

1. ALL DIMENSIONS IN MM [INCH]
2. GENERAL TOLERANCE: X.X=±0.4 X.XX=±0.25
3. TERM. NOS. FDR REFERENCE ONLY.
4. RATING: 4A @125VAC, 2A @250VAC
5. CONTACT RESISTANCE: 10mILLI-OHMS
6. DIELECTRIC STRENGTH: 1500 VAC-1Minute
7. INSULATION RESISTANCE: 500Mega-OHMS
8. MATERIALS:

HOUSING: ZINC ALLOY DIE CAST
CYLINDER: ZINC ALLOY W/CHROME PLATING
TERMINAL AND CONTACTS: SILVER PLATED
▲ KEYS (2) CODE 10001: TUBULAR STEEL, NICKEL PLATED

E-SWITCH®

KO114A-10001

REV.	ECN No.	REVISION DESCRIPTION	DATE	CHKD	CJB
B	11739	REVISED PART DESCRIPTION	10/15/01		
		DESCRIPTION			

TITLE	SCALE	DATE	DR	DWG	REV
	1.5:1	3/29/01	CJB	K200104	B

THE INFORMATION CONTAINED IN THIS DOCUMENT IS PROPRIETARY TO E-SWITCH AND IS NOT TO BE COPIED OR TRANSMITTED