

Excellent Integrated System Limited

Stocking Distributor

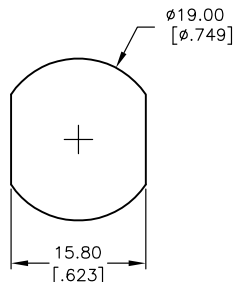
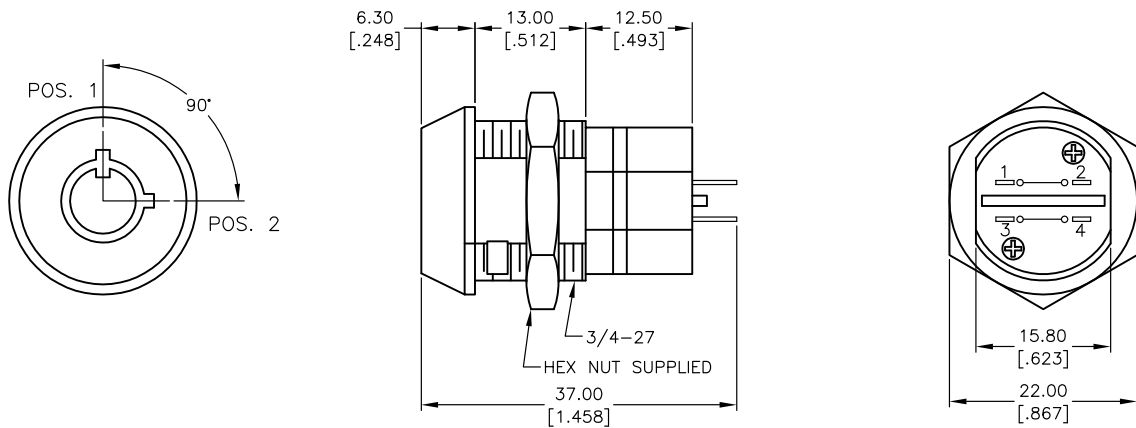
Click to view price, real time Inventory, Delivery & Lifecycle Information:

[E-Switch](#)
[KO115B10001](#)

For any questions, you can email us directly:

sales@integrated-circuit.com

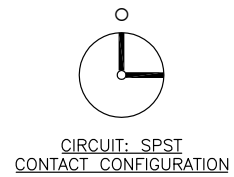
SHEET 1 OF 1



NOTES:

1. ALL DIMENSIONS IN MM [INCH]
2. GENERAL TOLERANCE: X.X=±0.4
X.XX=±0.25
3. TERM. NOS. FOR REFERENCE ONLY.
4. RATING: 4A @125VAC, 2A @250VAC
5. CONTACT RESISTANCE: 10mILLI-0HMS
6. DIELECTRIC STRENGTH: 1500 VAC-1Minute
7. MATERIALS:
HOUSING: ZINC ALLOY DIE CAST
CYLINDER: ZINC ALLOY W/CHROME PLATING
TERMINAL AND CONTACTS: SILVER PLATED
- ▲KEYS (2): ZINC ALLOY, CHROME PLATING
8. ▲ DENOTES CRITICAL PARAMETER.

RECOMMENDED PANEL CUTOUT



CIRCUIT: SPST
CONTACT CONFIGURATION

SWITCH FUNCTION	
POS 1	POS 2
↑	→
OFF	ON

LEGEND

- =OFF POSITION
- =INDICATES KEY PULL

E-SWITCH®

					E-SWITCH®				
					TITLE				
					KO115B10001				
					SCALE	DATE	DR	DWG	REV
					1.5:1	11/6/03	AR	K200109	A

THE INFORMATION CONTAINED IN THIS DOCUMENT IS PROPRIETARY TO E-SWITCH AND IS NOT TO BE COPIED OR TRANSFERRED