

Excellent Integrated System Limited

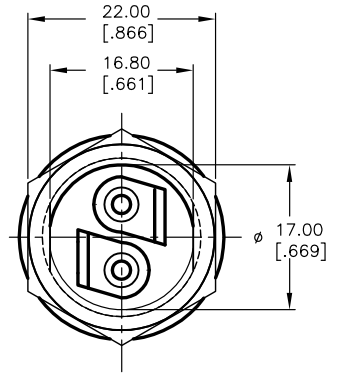
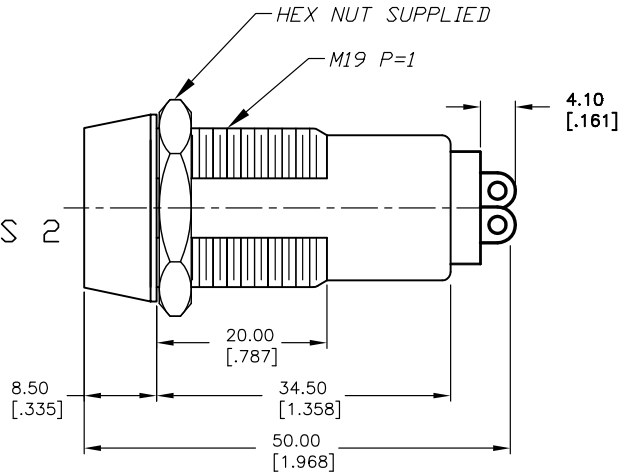
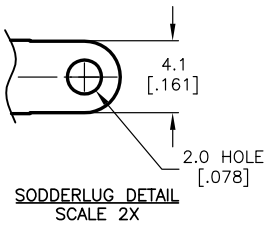
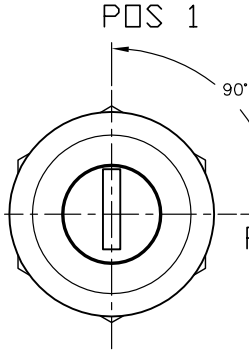
Stocking Distributor

Click to view price, real time Inventory, Delivery & Lifecycle Information:

[E-Switch](#)
[KO119A7321](#)

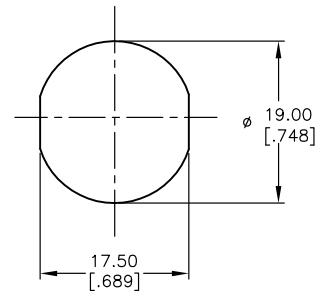
For any questions, you can email us directly:
sales@integrated-circuit.com

SHEET OF



CIRCUIT: SPST
CONTACT CONFIGURATION

| SWITCH FUNCTION | |
|-----------------|-------|
| POS 1 | POS 2 |
| ↑ | → |
| OFF | ON |



NOTES:

1. ALL DIMENSIONS IN MM [INCH]
2. GENERAL TOLERANCE: X.X=±0.4
X.XX=±0.25
3. TERM. NOS. FOR REFERENCE ONLY.
4. RATING: 4A @125VAC, 2A @250VAC.
5. CONTACT RESISTANCE: 10mILLI-OHMS
6. DIELECTRIC STRENGTH: 1500 VAC-1Minute
7. INSULATION RESISTANCE: 500 Mega-OHMS
8. MATERIALS:

HOUSING: ZINC ALLOY DIE CAST
 CYLINDER: ZINC ALLOY W/CHROME PLATING
 TERMINAL AND CONTACTS: SILVER PLATED
 TUMBLER: 5 DISC MECHANISM W/DUST SHUTTER
 KEYS 7321 (2): BRASS W/NICKEL PLATING
 DOUBLE CUT REVERSIBLE

LEGEND

- = INDICATE NO KEY PULL
- ⊙ = INDICATES KEY PULL POSSIBLE

E-SWITCH®

| | | | | | |
|-------|---------|-------------|---------|-----|--|
| TITLE | | K0119A-7321 | | | |
| SCALE | DATE | DR | DWG | REV | |
| 1.5:1 | 6/10/04 | AR | K200151 | A | |

| | | | | |
|--|---------|-------------------------|---------|------|
| A | 14089 | RELEASED FOR PRODUCTION | 6/10/04 | AR |
| REV. | ECN No. | DESCRIPTION | DATE | CHKD |
| THE INFORMATION CONTAINED IN THIS DOCUMENT IS PROPRIETARY TO E-SWITCH AND IS NOT TO BE COPIED OR TRANSFERRED | | | | |