

## Excellent Integrated System Limited

Stocking Distributor

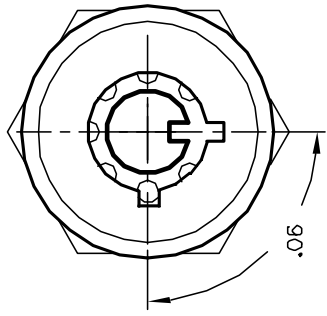
Click to view price, real time Inventory, Delivery & Lifecycle Information:

[E-Switch](#)  
[KO124A10001](#)

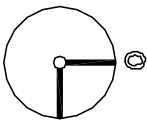
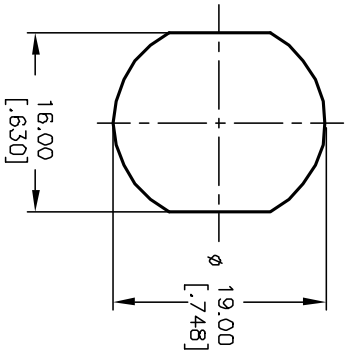
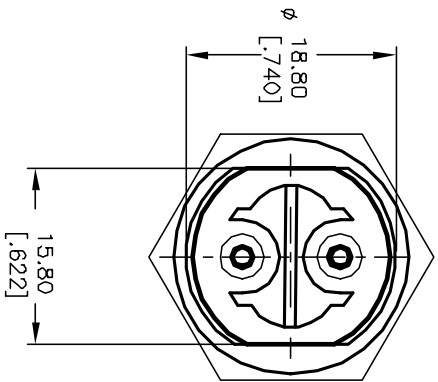
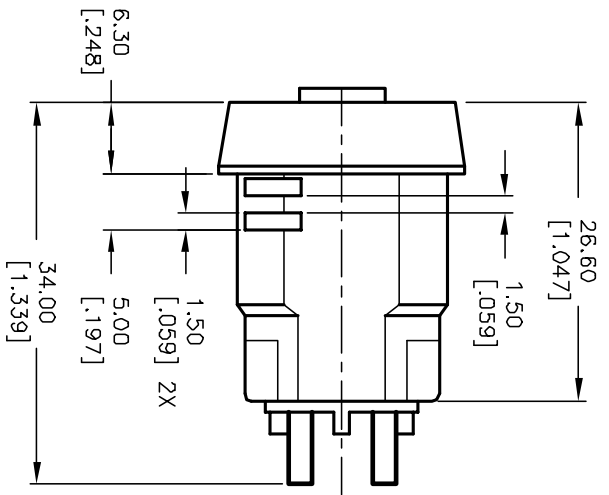
For any questions, you can email us directly:

[sales@integrated-circuit.com](mailto:sales@integrated-circuit.com)

POS 1



POS 2



CIRCUIT: SPST  
CONTACT CONFIGURATION

SWITCH FUNCTION	POS 1	POS 2
OFF	↖	↗
ON	↘	↙

LEGEND

- = OFF POSITION
- = INDICATES KEY PULL
- ⊗ = INDICATES NO KEY PULL

RECOMMENDED PANEL CUTOUT

NOTES:

1. ALL DIMENSIONS IN MM [INCH]
2. GENERAL TOLERANCE: X.X=±0.4 X.XX=±0.25
3. TERM. NOS. FDR REFERENCE ONLY.
4. RATING: 2A @125VAC, 1A @250VAC.
5. CONTACT RESISTANCE: 10MILLI-OHMS max.
6. DIELECTRIC STRENGTH: 1000 VAC-1Minute
7. INSULATION RESISTANCE: 200Mega OHMS min.
8. MATERIALS:

HOUSING: ZINC ALLOY DIE CAST, SATINE CHROME PLATING  
CYLINDER: ZINC ALLOY W/SATIN CHROME PLATING  
TERMINAL AND CONTACTS: SILVER PLATED  
KEYS (2) KEY CODE 10001:  
TUBULAR STEEL, NICKLE PLATING

REV.	ECN No.	DESCRIPTION	DATE	CHKD
A	11737	RELEASED FOR PRODUCTION	10/12/01	CJB

TITLE	SCALE	DATE	DR	DWG	REV
KO124A-10001	1.5:1	10/12/01	CJB	K500103	A



THE INFORMATION CONTAINED IN THIS DOCUMENT IS PROPRIETARY TO E-SWITCH AND IS NOT TO BE COPIED OR TRANSMITTED