

## Excellent Integrated System Limited

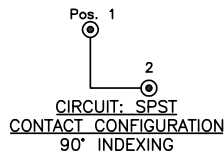
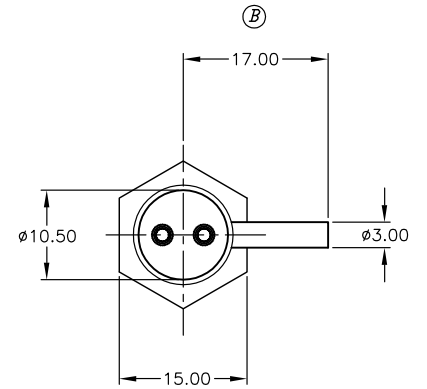
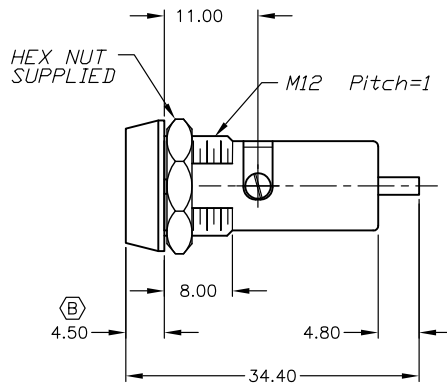
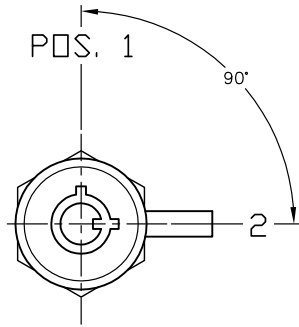
Stocking Distributor

Click to view price, real time Inventory, Delivery & Lifecycle Information:

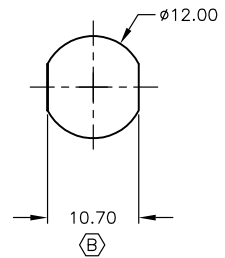
[E-Switch](#)  
[KO126A1001](#)

For any questions, you can email us directly:  
[sales@integrated-circuit.com](mailto:sales@integrated-circuit.com)

SHEET OF



SWITCH FUNCTION	
POS 1	POS 2
↑	→
OFF	ON



RECOMMENDED PANEL CUTOUT

NOTES:

1. ALL DIMENSIONS IN MM
2. GENERAL TOLERANCE: X.X=±0.4  
X.XX=±0.25
3. TERM. NOS. FOR REFERENCE ONLY.
4. RATING: 1A @125VAC, 0.5A @250VAC
5. CONTACT RESISTANCE: 20mILLI-OHMS
6. DIELECTRIC STRENGTH: 1500 VAC-1Minute
7. MATERIALS:

HOUSING: ZINC ALLOY DIE CAST  
CYLINDER: ZINC ALLOY W/CHROME PLATING  
TERMINAL AND CONTACTS: SILVER PLATED  
KEYS STAMPED 1001 (2): TUBULAR ZINC ALLOY,  
NICKEL PLATED w/Plastic Covers

LEGEND

- = DETENT POSITIONS NO KEY PULL
- ⊙ = INDICATES KEY PULL POSSIBLE

C	13412	DIM 4.5 WAS 4.0, PANEL CUTOUT	8/29/03	AR
B	12826	DIM WAS 14.5	2/24/03	CJB
A	11434	RELEASED	1/7/03	CJB
REV.	ECN No.	DESCRIPTION	DATE	CHKD

THE INFORMATION CONTAINED IN THIS DOCUMENT IS PROPRIETARY TO E-SWITCH AND IS NOT TO BE COPIED OR TRANSFERRED

<b>E-SWITCH®</b>				
TITLE KO126-1001				
SCALE 1.5:1	DATE 2/24/03	DR CJB	DWG K600102	REV C