

Excellent Integrated System Limited

Stocking Distributor

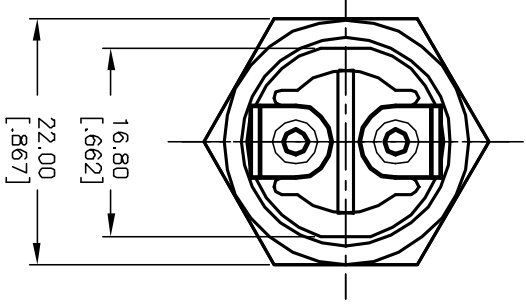
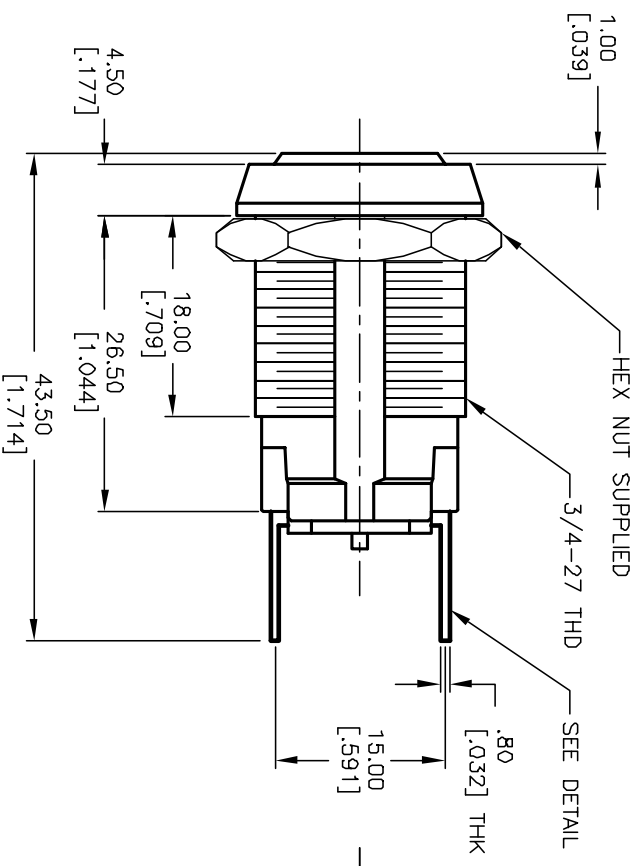
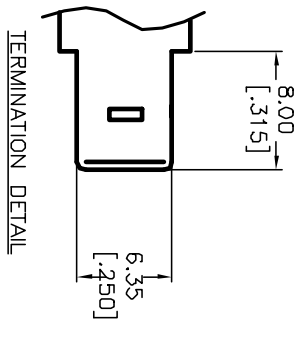
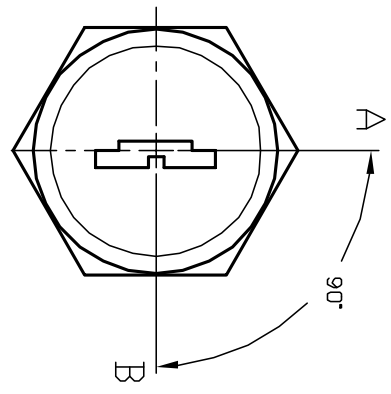
Click to view price, real time Inventory, Delivery & Lifecycle Information:

[E-Switch](#)

[KO128F2007](#)

For any questions, you can email us directly:

sales@integrated-circuit.com



NOTES:

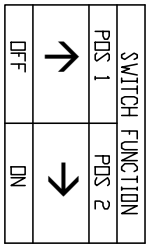
1. ALL DIMENSIONS IN MM [INCH]
2. GENERAL TOLERANCE: X.X=±0.4 X.XX=±0.25
3. TERM. NOS. FDR REFERENCE ONLY.
4. RATING: 4A @125VAC, 2A @250VAC
5. CONTACT RESISTANCE: 10MILLI-OHMS
6. DIELECTRIC STRENGTH: 1500 VAC-1Minute
7. INSULATION RESISTANCE: 200 Mega-OHMS
8. MATERIALS:

HOUSING: ZINC ALLOY DIE CAST
 CYLINDER: ZINC ALLOY W/CHROME PLATE
 CONTACTS: SILVER PLATE
 CRISS CROSS TUMBLERS. (11 BLADE)
 DOUBLE BITTED KEYS (2) STAMPED 2007

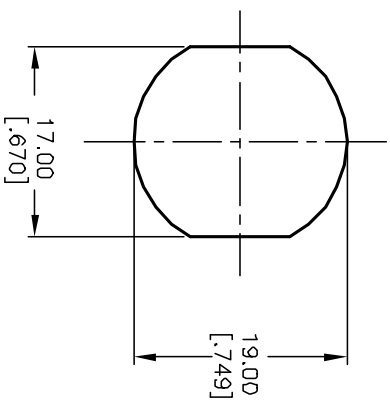
LEGEND

- = INDICATE NO KEY PULL
- ⊙ = INDICATES KEY PULL POSSIBLE

CIRCUIT: SPST
 CONTACT CONFIGURATION



RECOMMENDED PANEL CUTOUT



B	12872	REMOVE TERM /NOTE 8	3/4/03	CJB
A	11754	RELEASED FOR PRODUCTION	10/17/01	CJB
REV.	ECN No.	DESCRIPTION	DATE	CHKD

TITLE		SCALE		DATE	DR	DWG	REV
K0128F-2007		1.5:1		10/17/01	CJB	K200203	B

E-SWITCH®

THE INFORMATION CONTAINED IN THIS DOCUMENT IS PROPRIETARY TO E-SWITCH AND IS NOT TO BE COPIED OR TRANSMITTED