

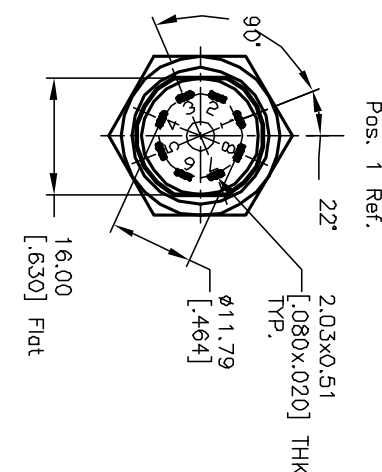
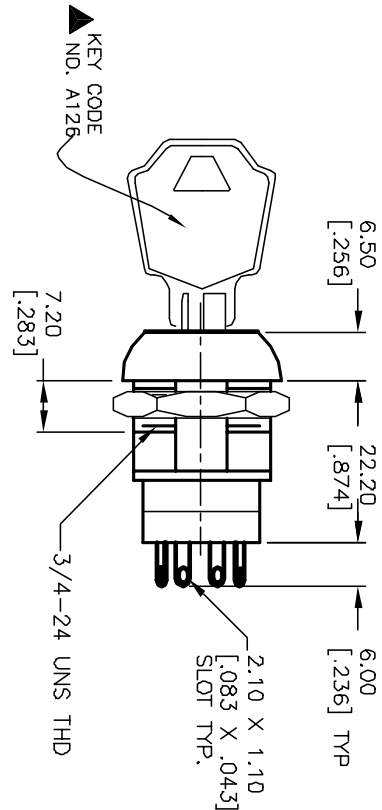
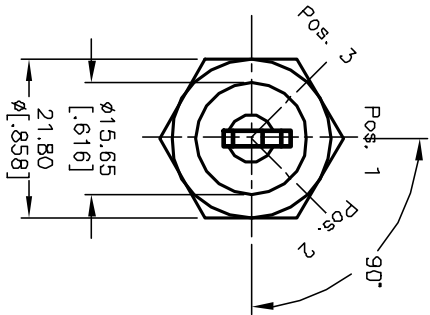
## Excellent Integrated System Limited

Stocking Distributor

Click to view price, real time Inventory, Delivery & Lifecycle Information:

[E-Switch](#)  
[KO130HA126](#)

For any questions, you can email us directly:  
[sales@integrated-circuit.com](mailto:sales@integrated-circuit.com)

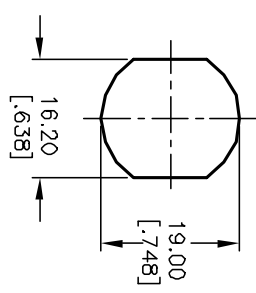


NOTES:

1. ALL DIMENSIONS IN MM [INCH]
2. GENERAL TOLERANCE: X.X=±0.4 X.XX=±0.25
3. TERM. NOS. FOR REF. ONLY
4. CONTACT RATING: 4A @125VAC/28VDC, 2A @250VAC
5. DIELECTRIC STRENGTH: 1KV RMS min. at sea level
6. ELECTRICAL LIFE: 10,000 make-and-break cycles at full load.
7. MATERIALS:

CONTACTS: Silver Plated CU (Q Contact material)  
 TERMINALS: GOLD Plated Cu (Q Contact material)  
 MOUNTING NUT: Nickel Plated zinc alloy  
 CONTACT SPRING: Piano Wire  
 KEYS (Z): Brass with code no. A126  
 LOCK: Bright Ni plated zinc alloy with NI facing  
 TUMBLER Mechanism: 4-disc tumbler cylinder.

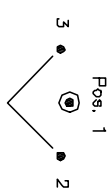
RECOMMENDED PANEL LAYOUT



LEGEND

- =Detent Positions (45° or 90°)
- ⊙ =key pull possible in these positions

CIRCUIT: DP (45° INDEXING)  
 CONTACT CONFIGURATION



SWITCH FUNCTION		
POS. 1	POS. 2	POS. 3
8-1, 4-5	1-2, 5-6	7-8, 3-4

REV. A	ECN No. 11722	RELEASED FOR PRODUCTION	DATE 10/10/01	CHKD CJB
		DESCRIPTION		

TITLE		SCALE		DATE	DR	DWG	REV
K0130H-A126		1:1		10/10/01	CJB	K200217	A



THE INFORMATION CONTAINED IN THIS DOCUMENT IS PROPRIETARY TO E-SWITCH AND IS NOT TO BE COPIED OR TRANSMITTED