

## Excellent Integrated System Limited

Stocking Distributor

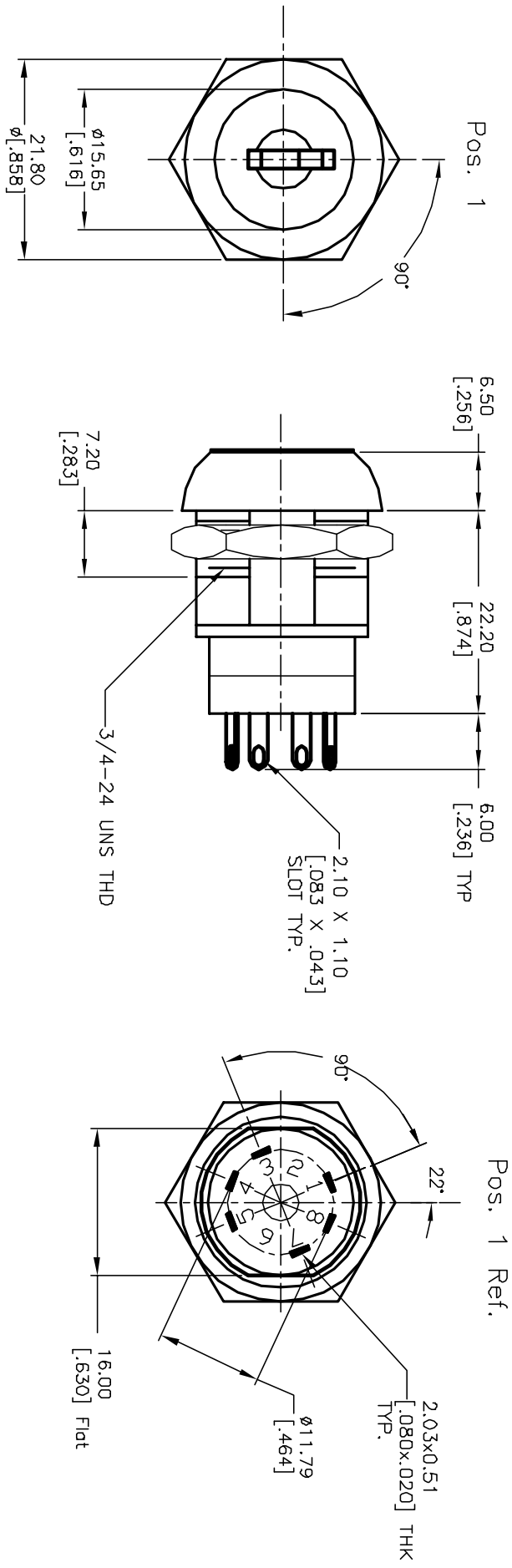
Click to view price, real time Inventory, Delivery & Lifecycle Information:

[E-Switch](#)  
[KO130Q602](#)

For any questions, you can email us directly:

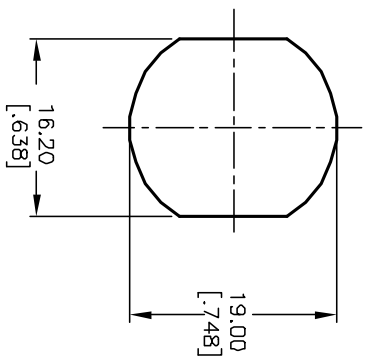
[sales@integrated-circuit.com](mailto:sales@integrated-circuit.com)

SHEET OF



NOTES:

1. ALL DIMENSIONS IN MM [INCH]
2. GENERAL TOLERANCE: X.X=±0.4 X.XX=±0.25
3. TERM. NOS. FOR REF. ONLY
4. CONTACT RATING: 4A @125VAC/28VDC, 2A @250VAC
5. DIELECTRIC STRENGTH: 1KV RMS min. at sea level
6. ELECTRICAL LIFE: 10,000 make-and-break cycles at full load.
7. MATERIALS:
  - CONTACTS: Silver Plated CU (Q Contact material)
  - TERMINALS: GOLD Plated Cu (Q Contact material)
  - MOUNTING NUT: Nickel Plated zinc alloy
  - CONTACT SPRING: Piano Wire
  - KEYS (Z): Brass with code no. 602
  - LOCK: Bright Ni plated zinc alloy with NI facing
  - TUMBLER Mechanism: 4-disc tumbler cylinder.



RECOMMENDED PANEL LAYOUT

LEGEND

- =Detent Positions (45° or 90°)
- ⊙ =key pull possible in these positions

| CIRCUIT: DP (90° INDEXING) CONTACT CONFIGURATION |                      |
|--|----------------------|
| SWITCH FUNCTION                                  | CONNECTED TERMINAL # |
| POS. 1   | POS. 2               |
| 8-1, 4-5   | 1-3, 5-7             |

|      |         |                         |         |      |
|------|---------|-------------------------|---------|------|
| REV. | ECN No. | DESCRIPTION             | DATE    | CHKD |
| A    | I1714   | RELEASED FOR PRODUCTION | 10/5/01 | CJB  |

|            |  |       |         |     |         |     |
|------------|--|-------|---------|-----|---------|-----|
| TITLE      |  | SCALE | DATE    | DR  | DWG     | REV |
| K0130Q-602 |  | 1.5:1 | 10/5/01 | CJB | K200256 | A   |

**E-SWITCH®**

THE INFORMATION CONTAINED IN THIS DOCUMENT IS PROPRIETARY TO E-SWITCH AND IS NOT TO BE COPIED OR TRANSMITTED