

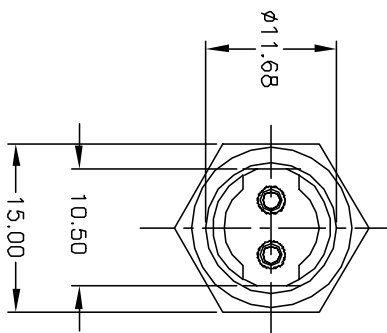
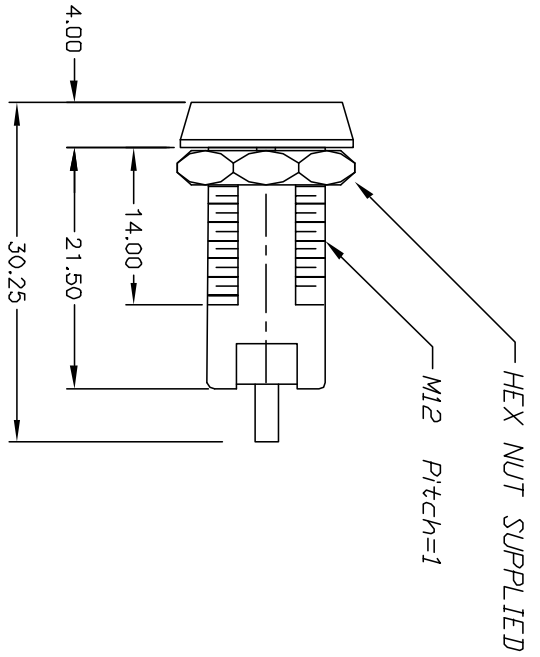
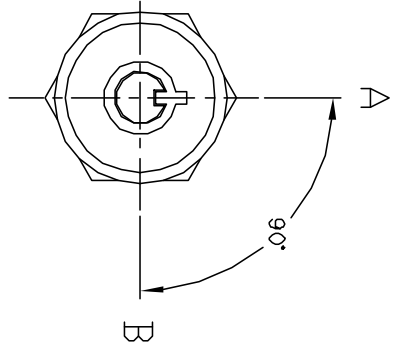
Excellent Integrated System Limited

Stocking Distributor

Click to view price, real time Inventory, Delivery & Lifecycle Information:

[E-Switch](#)
[KO133A801](#)

For any questions, you can email us directly:
sales@integrated-circuit.com



NOTES:

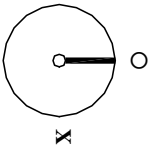
1. ALL DIMENSIONS IN MM
2. GENERAL TOLERANCE: X.X=±0.4
X.XX=±0.25
3. TERM. NOS. FOR REFERENCE ONLY.
4. RATING: 1A @125VAC, 0.5A @250VAC
5. CONTACT RESISTANCE: 10mILLI-OHMS
6. DIELECTRIC STRENGTH: 1000 VAC-1Minute
7. MATERIALS:
HOUSING: ZINC ALLOY DIE CAST
CYLINDER: ZINC ALLOY W/CHROME PLATING
TERMINAL AND CONTACTS: SILVER PLATED
KEYS (2): ZINC ALLOY, CHROME PLATING

CIRCUIT: SPST
CONTACT CONFIGURATION

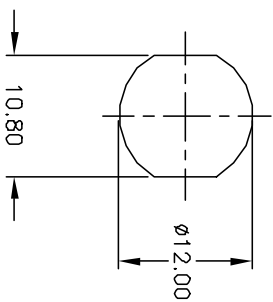
SWITCH FUNCTION	
A	B
↑	→
OFF	ON

LEGEND

- =OFF POSITION
- =INDICATES KEY PULL
- X =INDICATES NO KEY PULL



RECOMMENDED PANEL CUTOUT



E-SWITCH®

KO133A-801

REV.	ECN No.	DESCRIPTION	DATE	CHKD
A	11373	RELEASED FOR PRODUCTION	4/3/01	CJB

TITLE	SCALE	DATE	DR	DWG	REV
KO133A-801	1.5:1	4/3/01	CJB	K400105	A

THE INFORMATION CONTAINED IN THIS DOCUMENT IS PROPRIETARY TO E-SWITCH AND IS NOT TO BE COPIED OR TRANSMITTED