

## Excellent Integrated System Limited

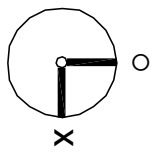
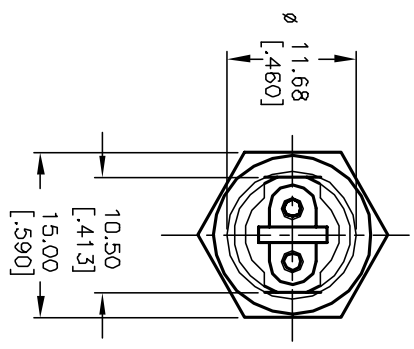
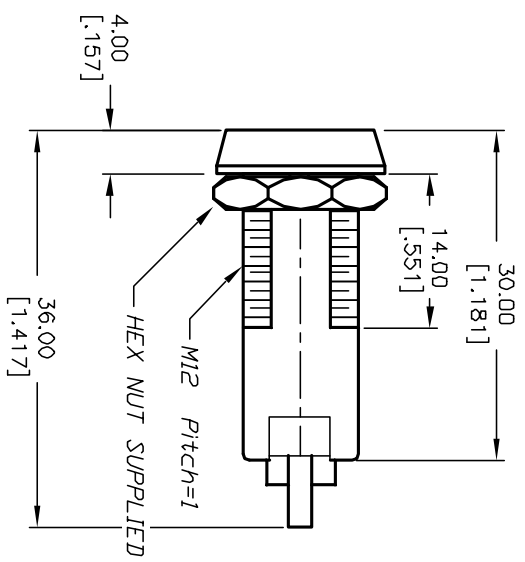
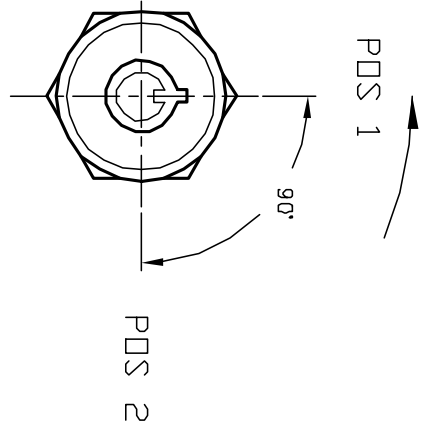
Stocking Distributor

Click to view price, real time Inventory, Delivery & Lifecycle Information:

[E-Switch](#)  
[KO133E845](#)

For any questions, you can email us directly:

[sales@integrated-circuit.com](mailto:sales@integrated-circuit.com)



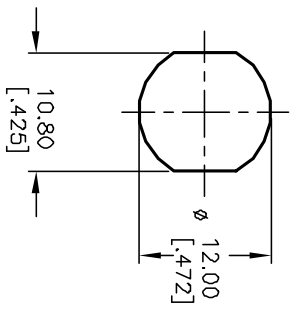
CIRCUIT: SPST  
CONTACT CONFIGURATION

SWITCH FUNCTION	POS 1	POS 2
	↖	↗
DEF		(DN)

LEGEND

- O = OFF POSITION
- = INDICATES KEY PULL
- X = INDICATES NO KEY PULL

RECOMMENDED PANEL CUTOUT



- NOTES:
1. ALL DIMENSIONS IN MM
  2. GENERAL TOLERANCE: X,X=±0.4  
X,XX=±0.25
  3. TERM. NOS. FOR REFERENCE ONLY.
  4. RATING: 1A @125VAC, 0.5A @250VAC
  5. CONTACT RESISTANCE: 10mΩ-1Ω
  6. DIELECTRIC STRENGTH: 1000 VAC-1Minute
  7. MATERIALS:  
HOUSING: ZINC ALLOY DIE CAST  
CYLINDER: ZINC ALLOY W/CHROME PLATING  
TERMINAL AND CONTACTS: SILVER PLATED  
KEYS (2) KEY CODE 845: ZINC ALLOY, CHROME PLATING

C	13056	DESC WAS KO133C-845	4/17/03	AR
B	12767	DESC WAS KO133E-845	1/27/03	CJB
A	11735	RELEASED FOR PRODUCTION	10/12/01	CJB
REV.	ECN No.	DESCRIPTION	DATE	CHKD

TITLE		SCALE		DATE		DR		DWG		REV	
E-SWITCH®		1.5:1		10/12/01		CJB		K400110		C	
KO133E-845											

THE INFORMATION CONTAINED IN THIS DOCUMENT IS PROPRIETARY TO E-SWITCH AND IS NOT TO BE COPIED OR TRANSMITTED