

Excellent Integrated System Limited

Stocking Distributor

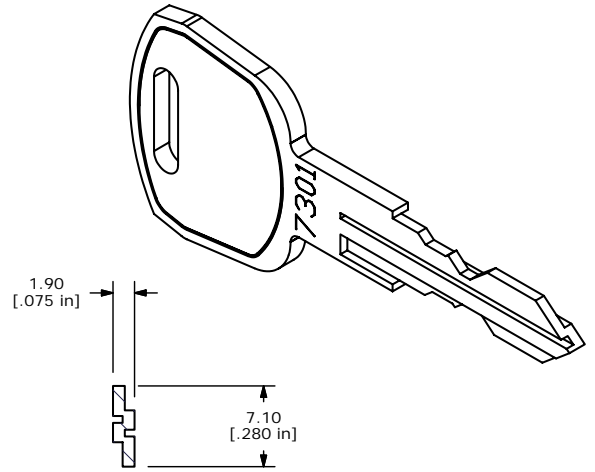
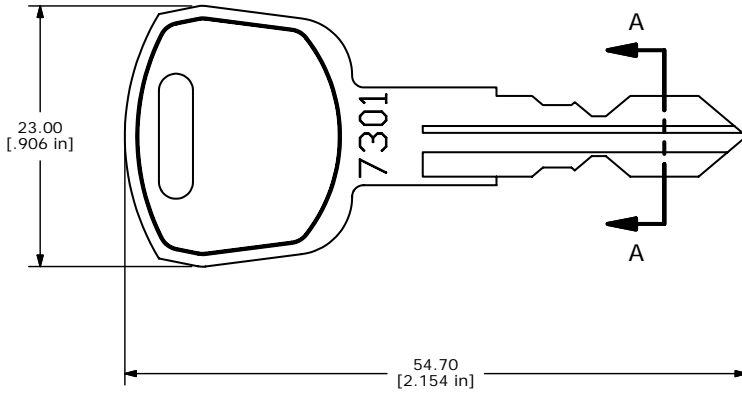
Click to view price, real time Inventory, Delivery & Lifecycle Information:

[E-Switch](#)
[KOKEY7301](#)

For any questions, you can email us directly:

sales@integrated-circuit.com

SHEET 1 OF 1



SECTION A-A
SCALE 2 : 1

NOTES:

1. ALL DIMENSIONS IN MM [INCH]
2. GENERAL TOLERANCE: $x.xx \pm 0.4$
 $x.xx = \pm 0.25$
3. MATERIAL: BRASS W/NICKLE PLATE
4. REVERSIBLE DOUBLE CUT

C	16152	ADD ENGRAVING	6/15/2006	CT	E-SWITCH®				
B	16069	EDIT NOTES AND TITLE	5/31/06	CT					
A	16019	NEW PART RELEASE	5/17/06	CT	SCALE 2:1 DATE 5/17/2006 DR CT DWG K900016 REV C				
REV	PCR NO	DESCRIPTION	DATE	BY					