

Excellent Integrated System Limited

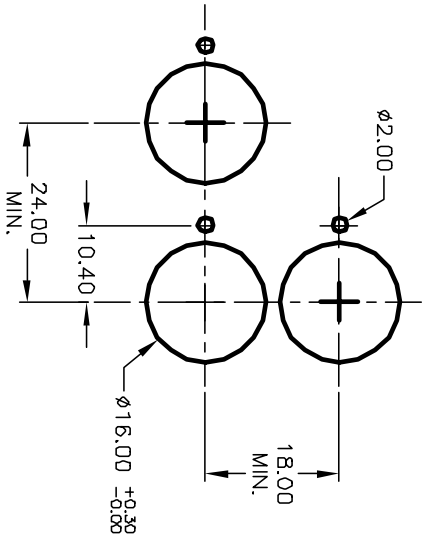
Stocking Distributor

Click to view price, real time Inventory, Delivery & Lifecycle Information:

[E-Switch](#)
[L16PLT10AWHT](#)

For any questions, you can email us directly:

sales@integrated-circuit.com



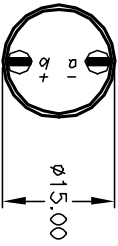
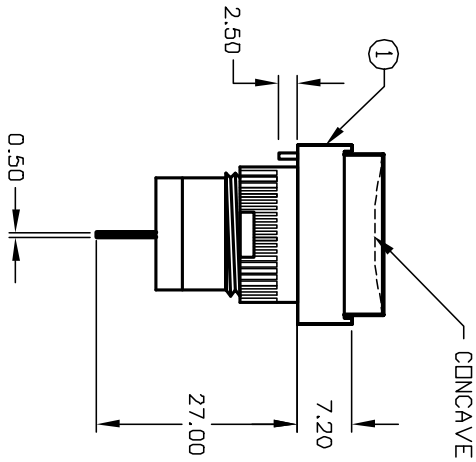
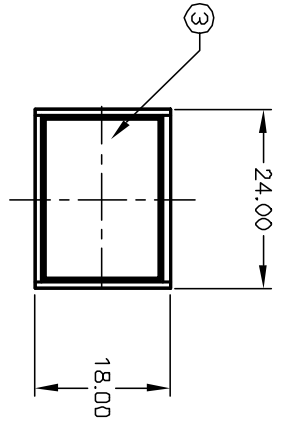
RECOMMENDED PANEL MOUNTING
 SCALE 1:1

a-L-b (+)

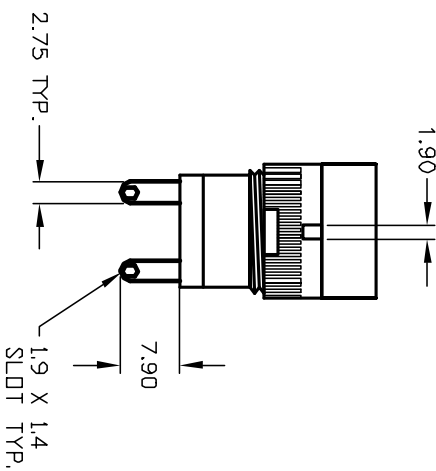
CIRCUIT: PILOT INDICATOR

NOTES:

1. ALL DIMENSIONS IN MM
2. GENERAL TOLERANCE: X.X=±0.4
X.XX=±0.25
3. RATINGS: 1A, 2A, 4A, 5A @250V AC
6V AC/DC 200mA (INCANDESCENT BULB)
4. CONTACT MATERIAL: COPPER ALLOY W/Silver Plating



PARTS LIST		
ITEM	QTY.	PART NO. PART DESCRIPTION
1	1	F040001 L16 PL T1 00
2	1	F050402 50-004-02 (Incandescent bulb)
3	1	F050205 50-002-05 (WHT lens)



E-SWITCH®

TITLE L16 PL T10 A WHT

SCALE 1:1 DATE 5/8/03 DR AR DWG XF0288P REV A

REV.	ECN No.	DESCRIPTION	DATE	CHKD
A	13113	RELEASE FOR PRODUCTION	5/8/03	AR

THE INFORMATION CONTAINED IN THIS DOCUMENT IS PROPRIETARY TO E-SWITCH AND IS NOT TO BE COPIED OR TRANSFERRED