

## Excellent Integrated System Limited

Stocking Distributor

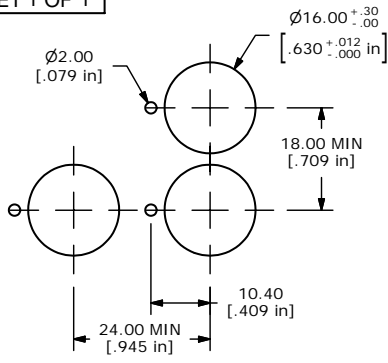
Click to view price, real time Inventory, Delivery & Lifecycle Information:

[E-Switch](#)  
[L16PLT10FREDRED](#)

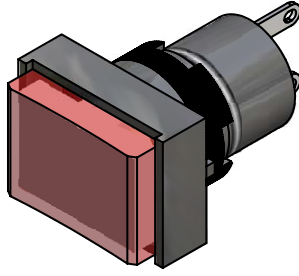
For any questions, you can email us directly:

[sales@integrated-circuit.com](mailto:sales@integrated-circuit.com)

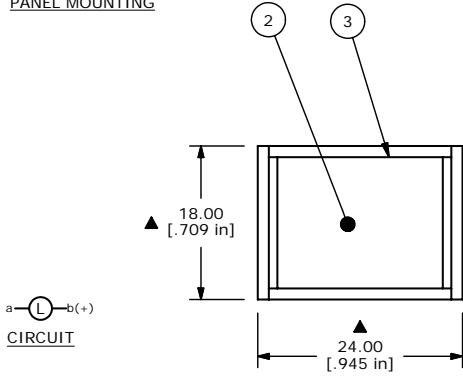
SHEET 1 OF 1



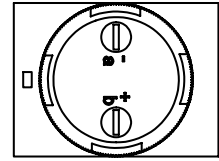
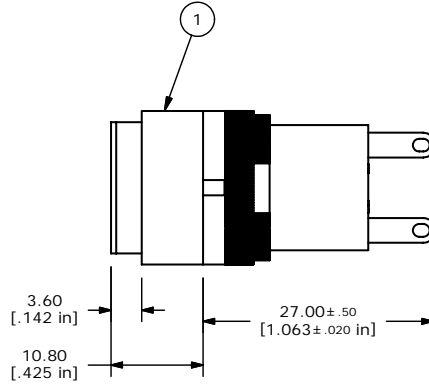
PANEL MOUNTING



|      |     |             | PARTS LIST                 |  |
|------|-----|-------------|----------------------------|--|
| ITEM | QTY | PART NUMBER | DESCRIPTION                |  |
| 1    | 1   | F040001     | L16PLT10                   |  |
| 2    | 1   | F050412     | 50-004-12 110V AC NEON RED |  |
| 3    | 1   | F050204     | 50-002-04 RED LENS CONCAVE |  |



CIRCUIT



NOTE:

1. ALL DIMENSIONS IN MM [INCH]
2. GENERAL TOLERANCE: X.X=±0.4  
X.XX=±0.25
3. TERMINAL NUMBERS FOR REF ONLY
4. OPERATING TEMP: -25°C to +55°C
5. STORAGE TEMP: -40°C TO +85°C
- ▲ 6. LAMP VOLTAGE: 110V AC
7. ▲ DENOTES CRITICAL PARAMETER.



|     |        |                         |          |    |
|-----|--------|-------------------------|----------|----|
| A   | 15401  | RELEASED FOR PRODUCTION | 10/19/05 | PH |
| REV | PCR NO | DESCRIPTION             | DATE     | BY |

|                       |                 |       |             |       |
|-----------------------|-----------------|-------|-------------|-------|
| TITLE L16PLT10FREDRED |                 |       |             |       |
| SCALE 2:1             | DATE 10/19/2005 | DR PH | DWG XF0652P | REV A |

THE INFORMATION CONTAINED IN THIS DOCUMENT IS PROPRIETARY TO E-SWITCH AND IS NOT TO BE COPIED OR TRANSFERRED