

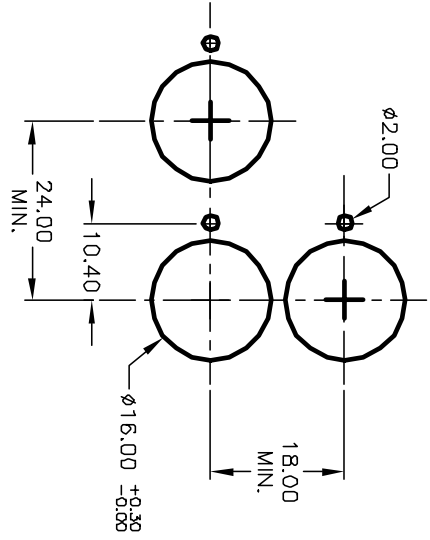
Excellent Integrated System Limited

Stocking Distributor

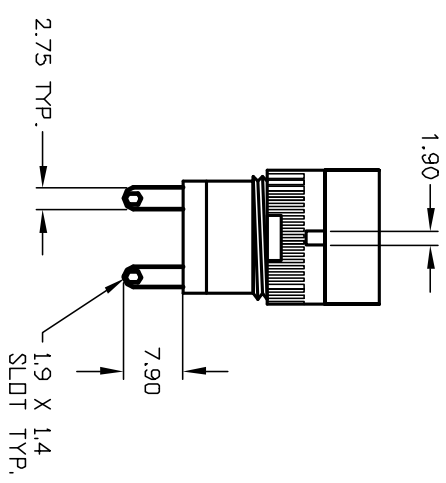
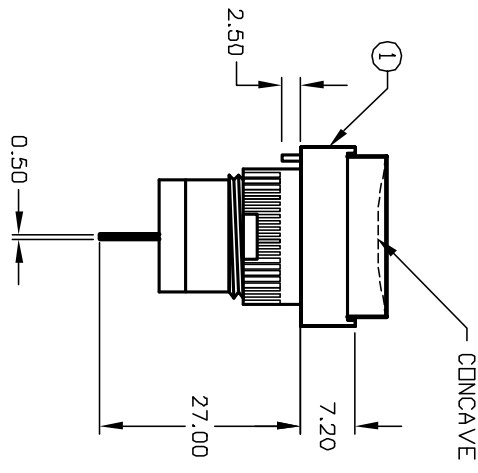
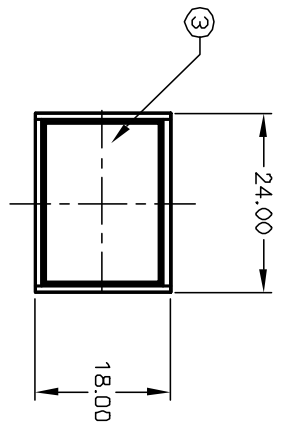
Click to view price, real time Inventory, Delivery & Lifecycle Information:

[E-Switch](#)
[L16PLT10MGRN](#)

For any questions, you can email us directly:
sales@integrated-circuit.com



RECOMMENDED PANEL MOUNTING
 SCALE 1:1



- CIRCUIT: PILOT INDICATOR
- NOTES:
1. ALL DIMENSIONS IN MM
 2. GENERAL TOLERANCE: X.X=±0.4
X.XX=±0.25
 3. RATINGS: 1A, 2A, 4A, 5A @250V AC
6V AC/DC 40Mg (INCANDESCENT BULB)
 4. CONTACT MATERIAL: COPPER ALLOY W/Silver Plating

PARTS LIST

ITEM	QTY.	PART NO.	PART DESCRIPTION
1	1	F040001	L16 PL T1 00
2	1	F050401	50-004-01 (Incandescent bulb)
3	1	F050202	50-002-02 (GRN lens)

REV.	ECN No.	DESCRIPTION	DATE	CHKD
A	13197	RELEASE FOR PRODUCTION	6/10/03	AR

TITLE	SCALE	DATE	DR	DWG	REV
L16 PL T10 M GRN	1:1	6/10/03	AR	XF0255P	A

E-SWITCH®

THE INFORMATION CONTAINED IN THIS DOCUMENT IS PROPRIETARY TO E-SWITCH AND IS NOT TO BE COPIED OR TRANSMITTED